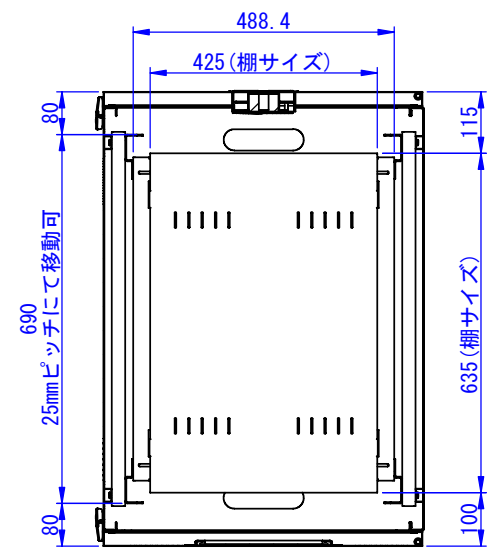
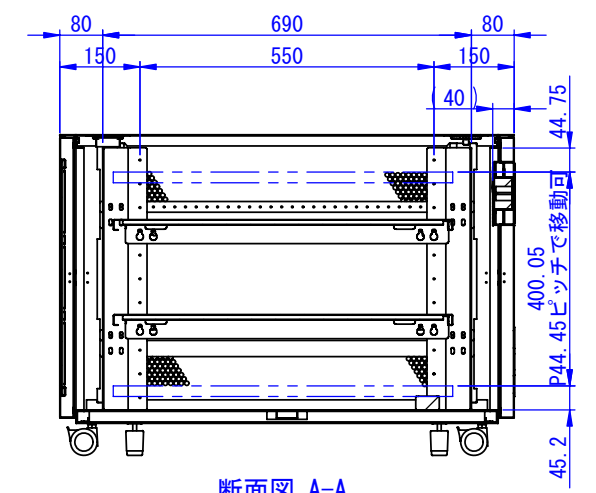
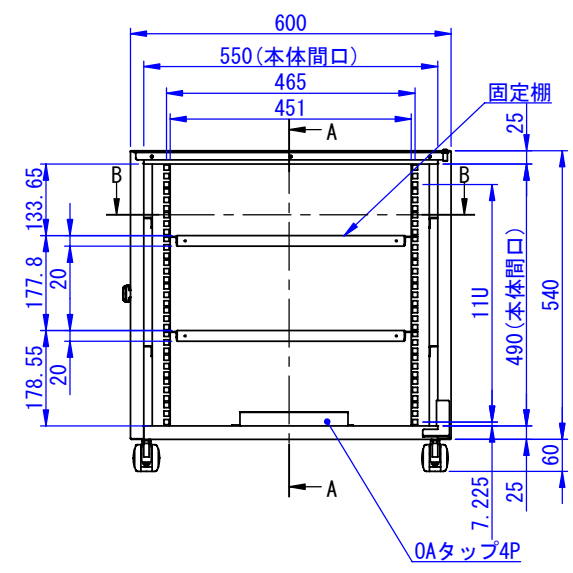


| | | | | |
|-------|---------------|------|-----------|---------|
| RevNo | Revision note | Date | Signature | Checked |
|-------|---------------|------|-----------|---------|

2014/09/29
A
B
C
D
E
F



断面図 B-B



断面図 A-A

| | | | | | |
|---------------------------|-----------------|-------------------------|---------------|------------------|---------------|
| Designed by K.Kitamura | Checked by - | Approved by - date - | Filename - | Date 10/04/20 | Scale 1:10 |
| エス・ディ・エス株式会社 | | | NCL-668 | | |
| | | | SDDV016G0008 | Edition - | Sheet 1/1 |