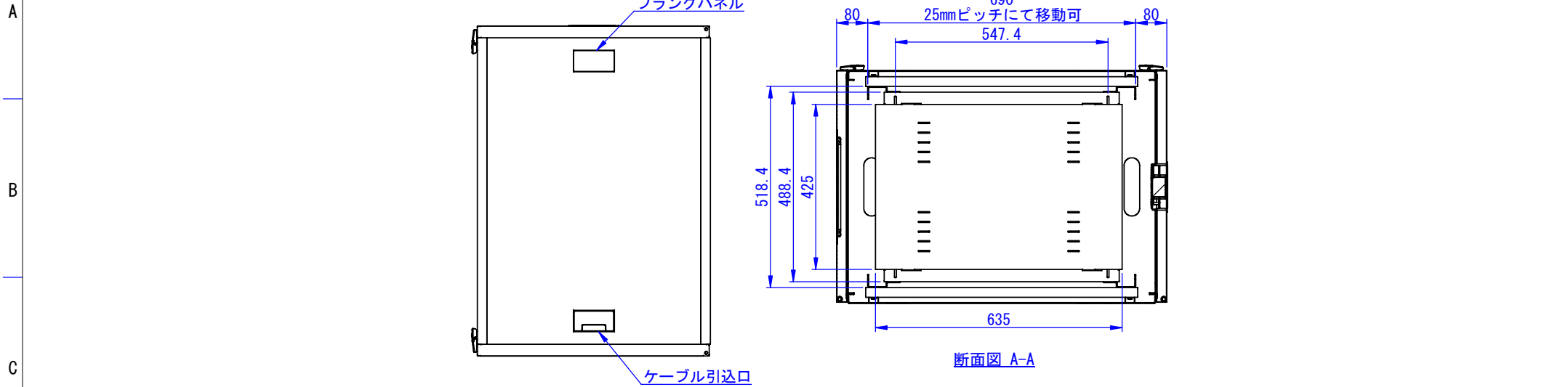
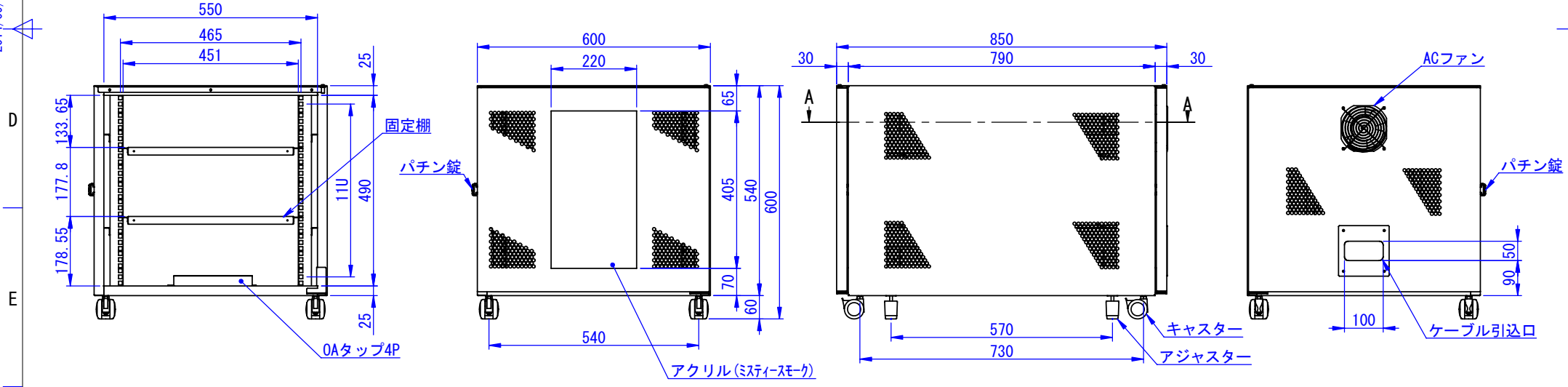


RevNo	Revision note	Date	Signature	Checked
-------	---------------	------	-----------	---------



2014/09/29



表面処理 : 10Y8.5/1半ツヤ シン

Itemref	Quantity	Title/Name, designation, material, dimension etc			Article No./Reference	
Designed by K.Kitamura	Checked by	Approved by - date	Filename	Date 10/04/16	Scale 1:10	
エス・ディ・エス株式会社				NCL-668		
				SDDV016G0002	Edition 0	Sheet 1/1