

RevNo	Revision note	Date	Signature	Checked
-------	---------------	------	-----------	---------

A

B

C

D

E

F

A

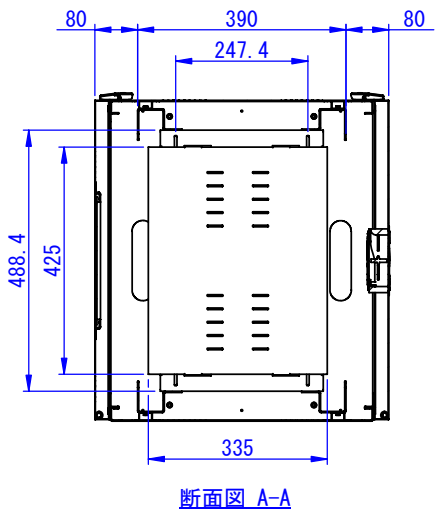
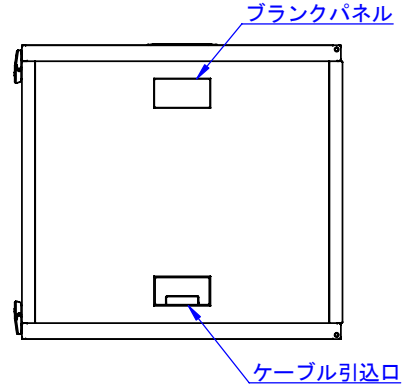
B

C

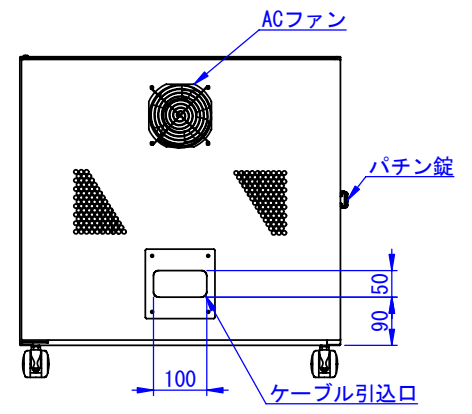
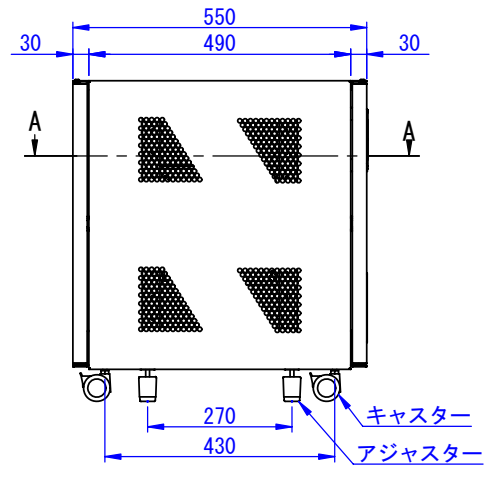
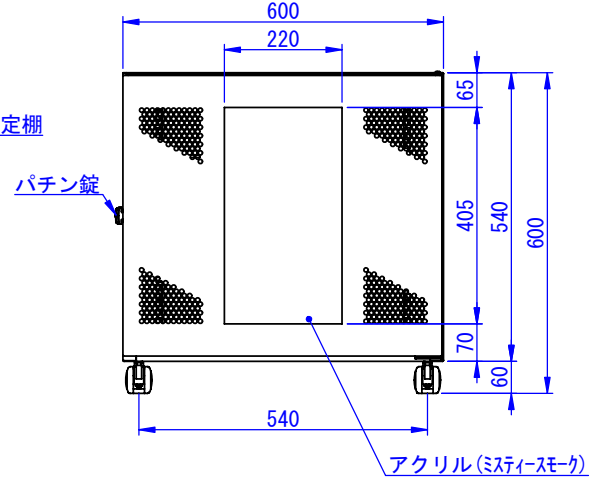
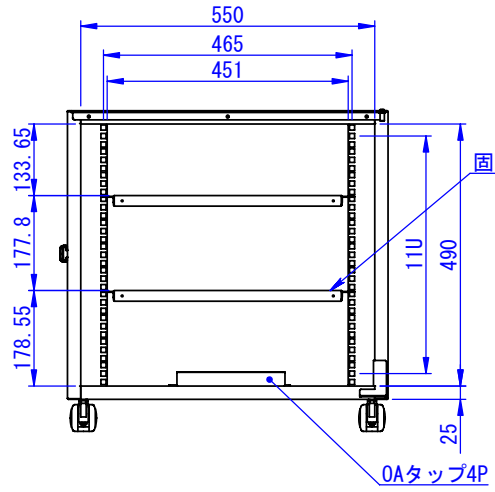
D

E

F



2014/09/29



表面処理 : 10Y8.5/1半ツヤ シン

Itemref	Quantity	Title/Name, designation, material, dimension etc			Article No./Reference	
Designed by K_Kitamura	Checked by	Approved by - date	Filename	Date 10/04/16	Scale 1:10	
エス・ディ・エス株式会社				NCL-665		
				SDDV016G0001	Edition 0	Sheet 1/1