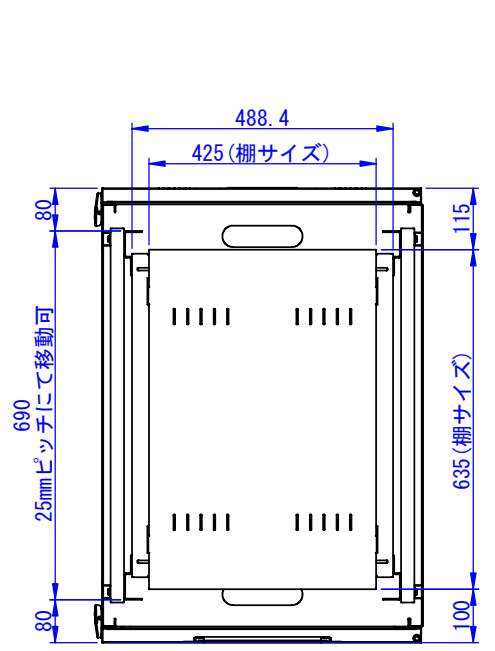
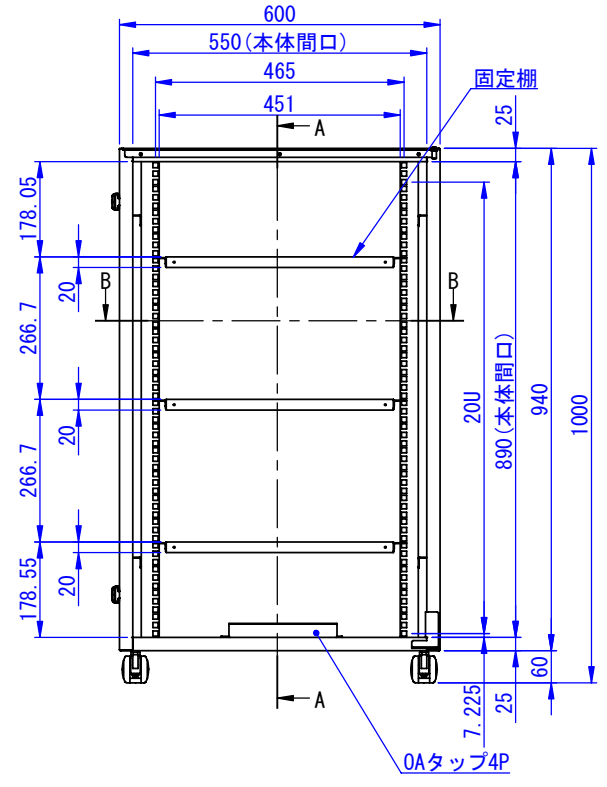


RevNo	Revision note	Date	Signature	Checked

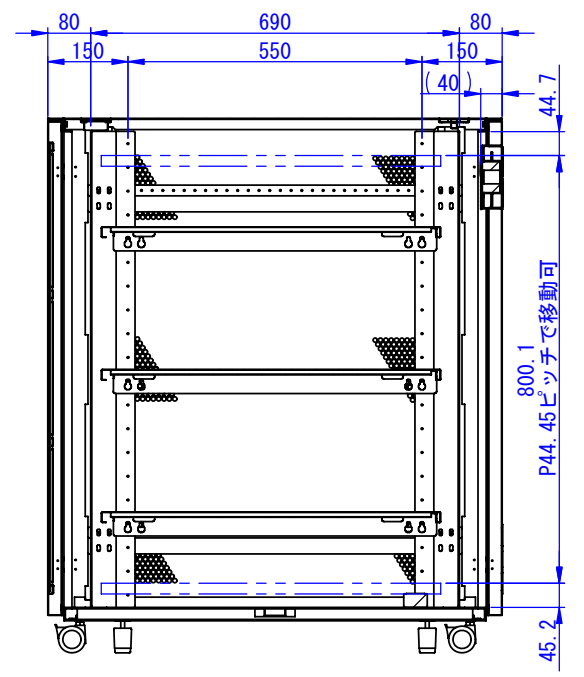
2014/09/29



断面図 B-B



OAタップ4P



断面図 A-A

Designed by K.Kitamura	Checked by -	Approved by - date -	Filename -	Date 10/04/20	Scale 1:10
エス・ディ・エス株式会社			NCL-6108		
			SDDV016G0012	Edition -	Sheet 1/1