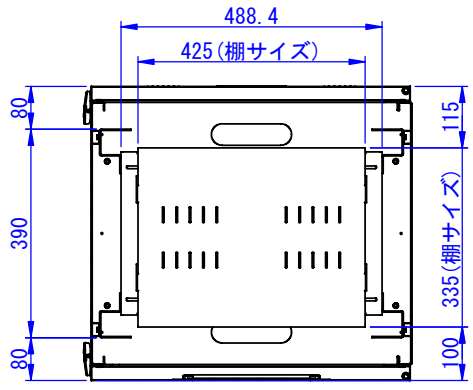
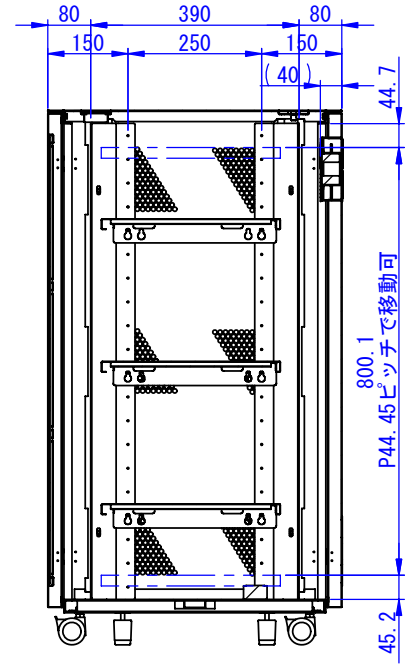
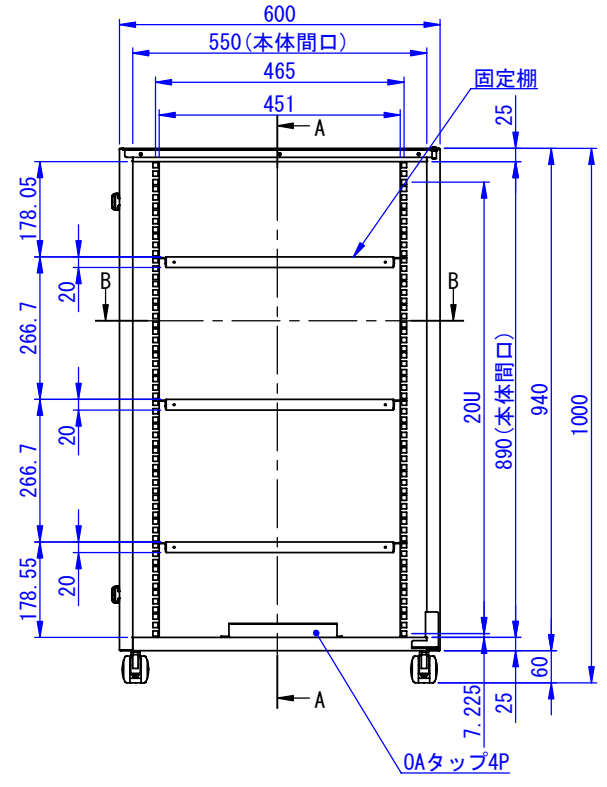


RevNo	Revision note	Date	Signature	Checked

2014/09/29



断面図 B-B



断面図 A-A

Designed by K.Kitamura	Checked by -	Approved by - date -	Filename -	Date 10/04/20	Scale 1:10
エス・ディ・エス株式会社			NCL-6105		
			SDDV016G0011	Edition -	Sheet 1/1