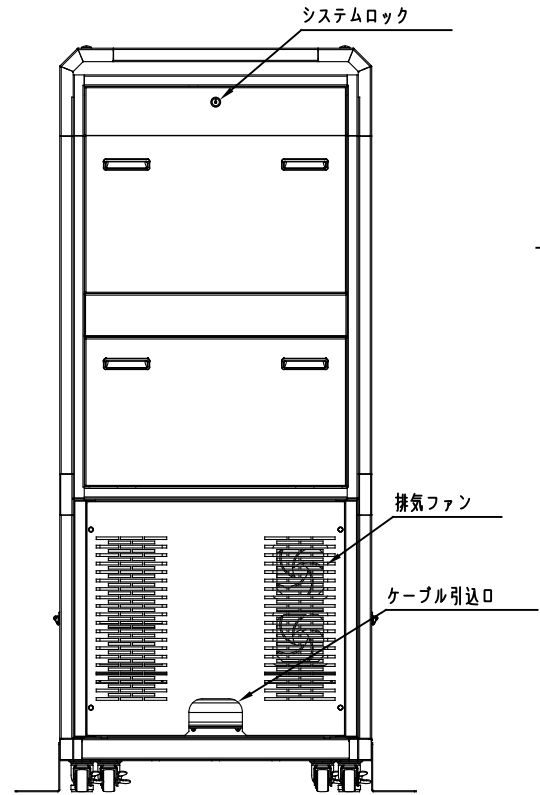
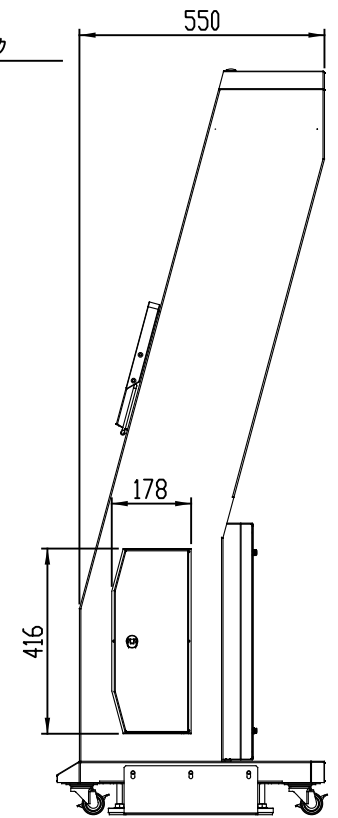
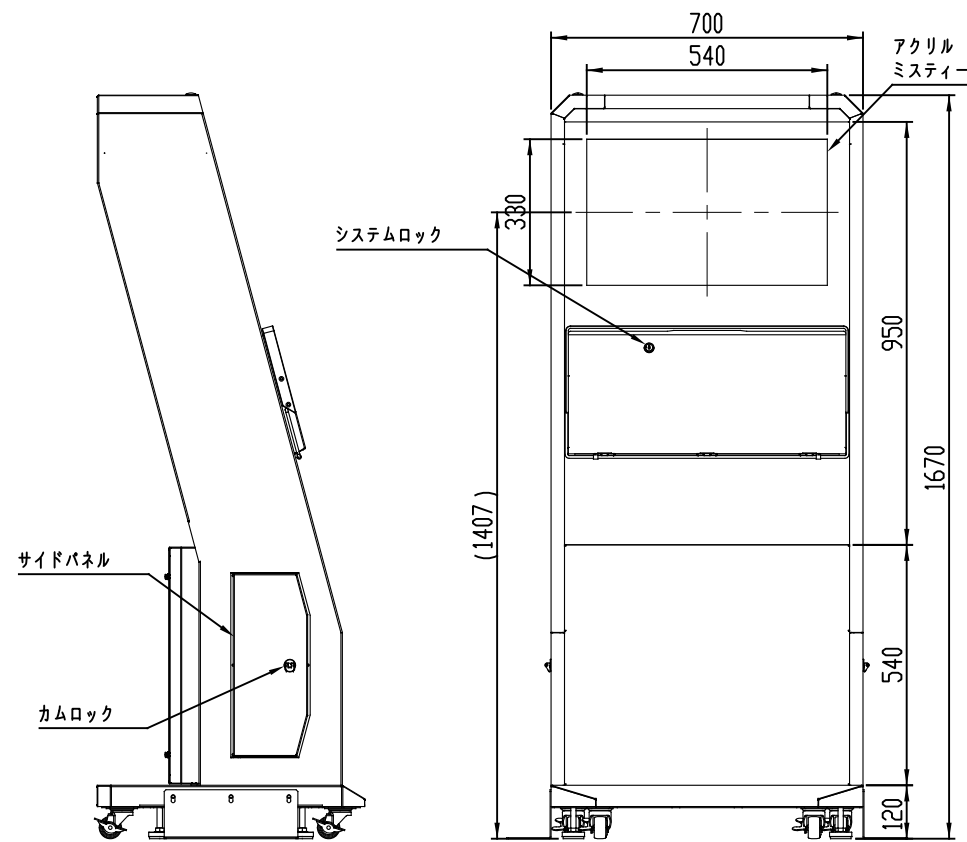
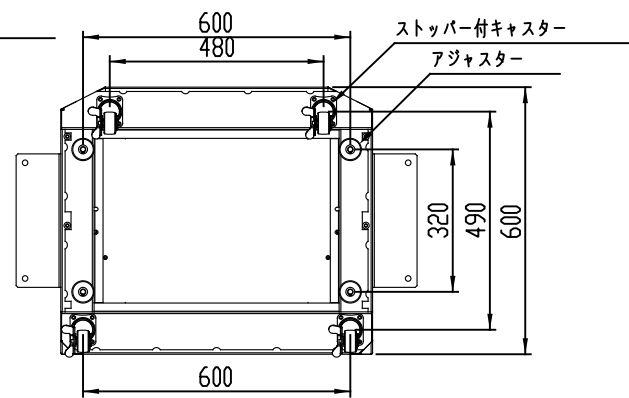
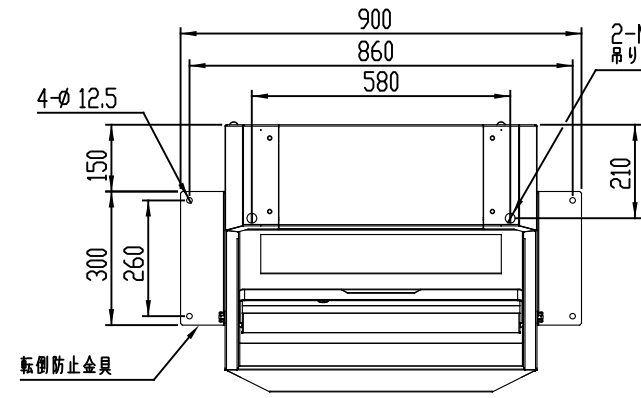


RevNo	Revision note	Date	Signature	Checked
-------	---------------	------	-----------	---------

2014/09/25

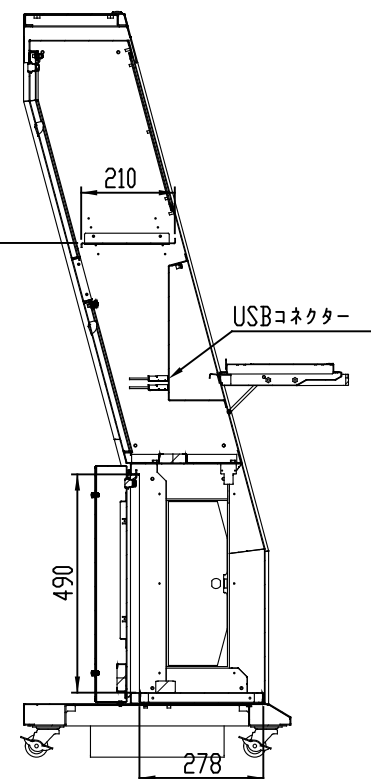


表面処理:
7.5Y6/0.5 ㊦-㊦
N4.0 ㊦-㊦

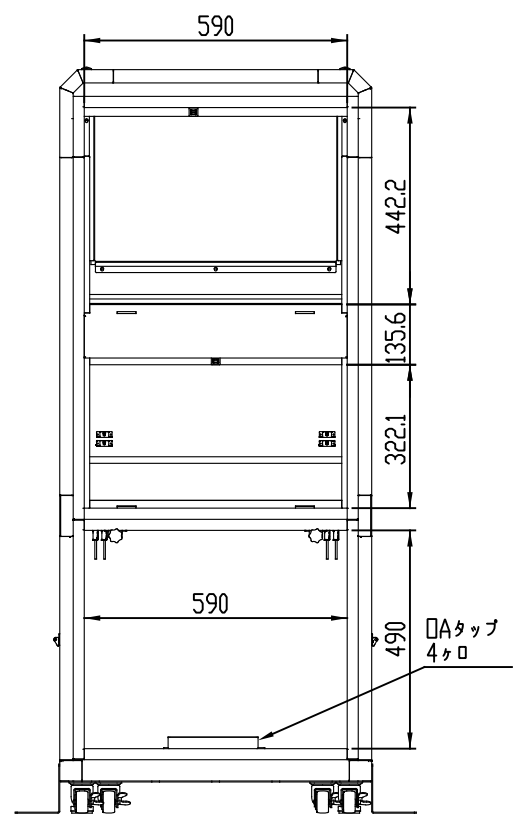
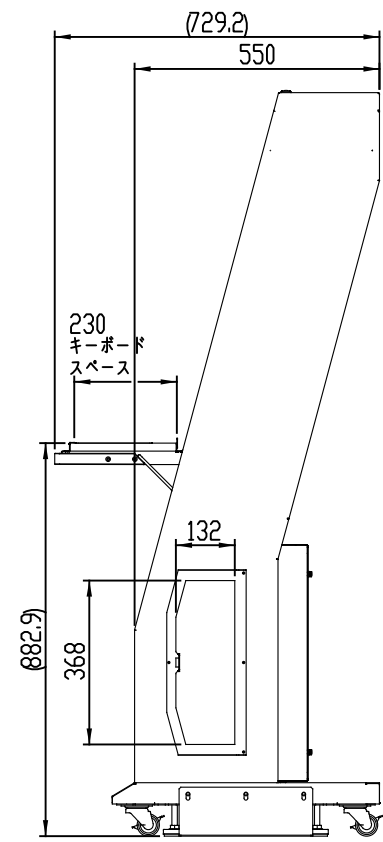
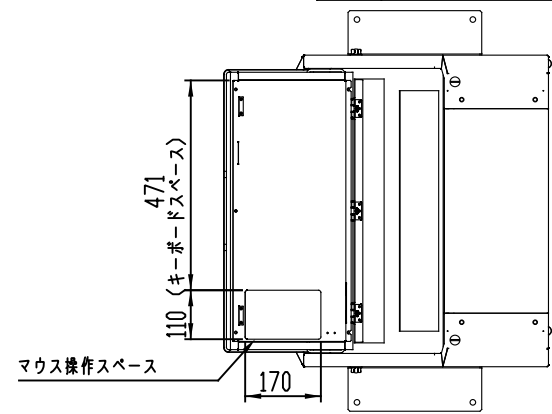
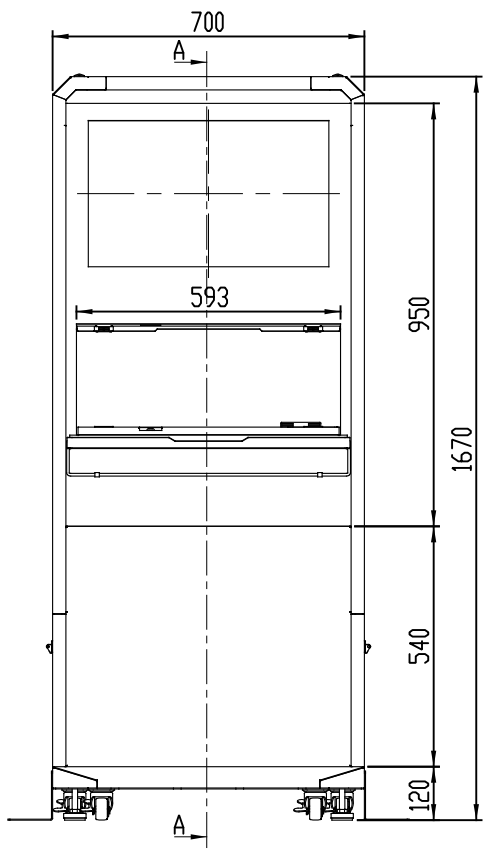
Designed by K.Kitamura	Checked by _	Approved by - date _	Filename _	Date 12/02/21	Scale 1:12
エス・ディ・エス株式会社			まもる君NEXT		
			SDDV033G0001	Edition _	Sheet 1/1

RevNo	Revision note	Date	Signature	Checked
-------	---------------	------	-----------	---------

2014/09/25



表面処理:
7.5Y6/0.5 ㍉⁺-㍉⁻
N4.0 ㍉⁺-㍉⁻



Designed by K.Kitamura	Checked by _	Approved by - date _	Filename _	Date 12/02/21	Scale 1:12
エス・ディ・エス株式会社			まもる君NEXT		
			SDDV033G0002	Edition _	Sheet 1/1