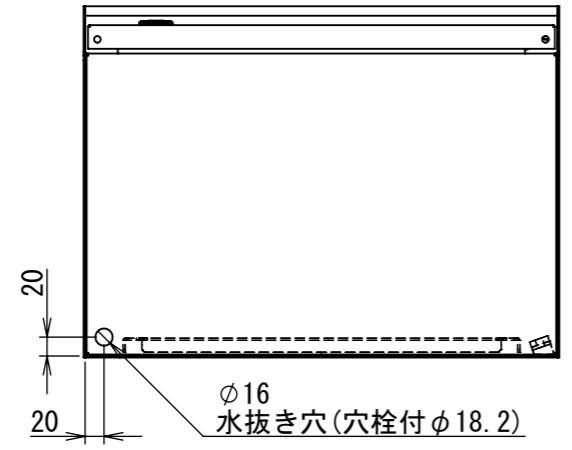
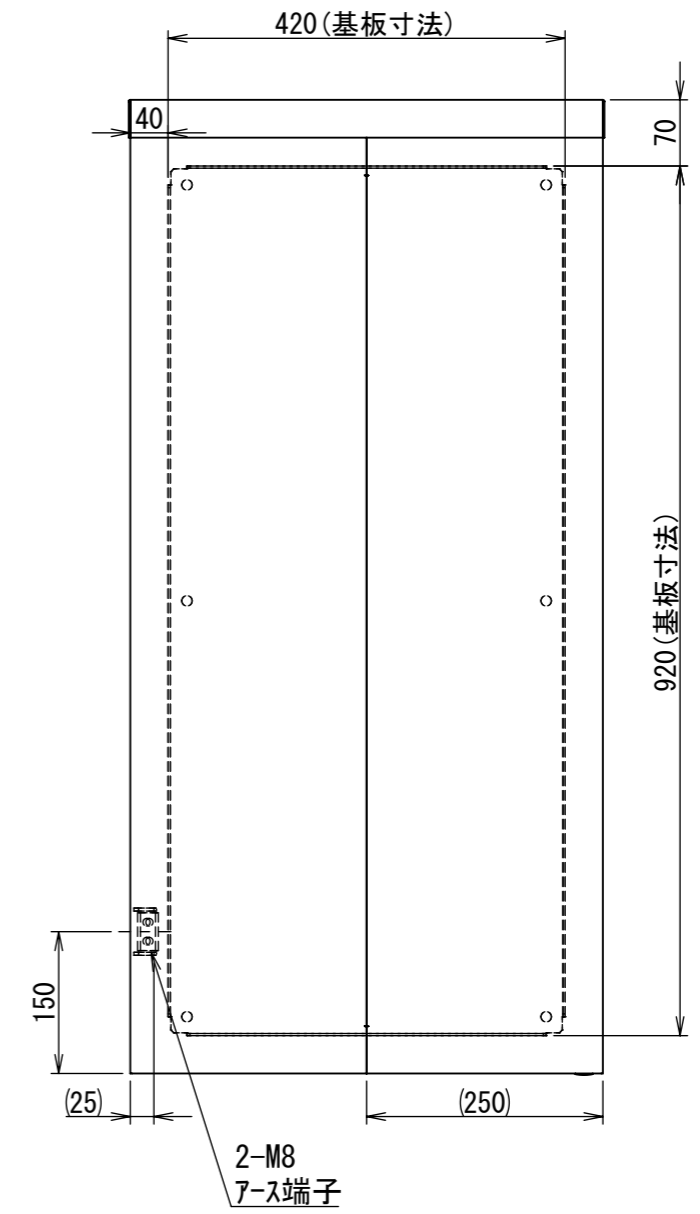
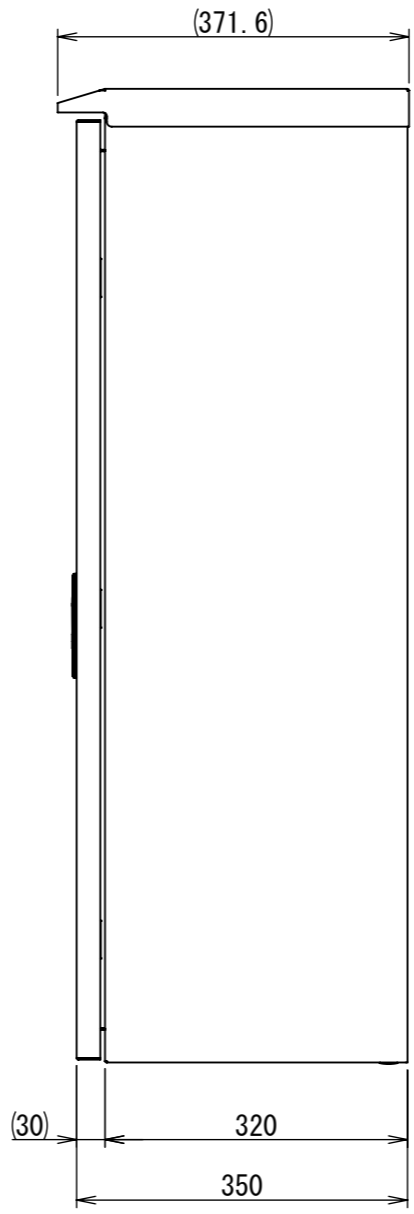
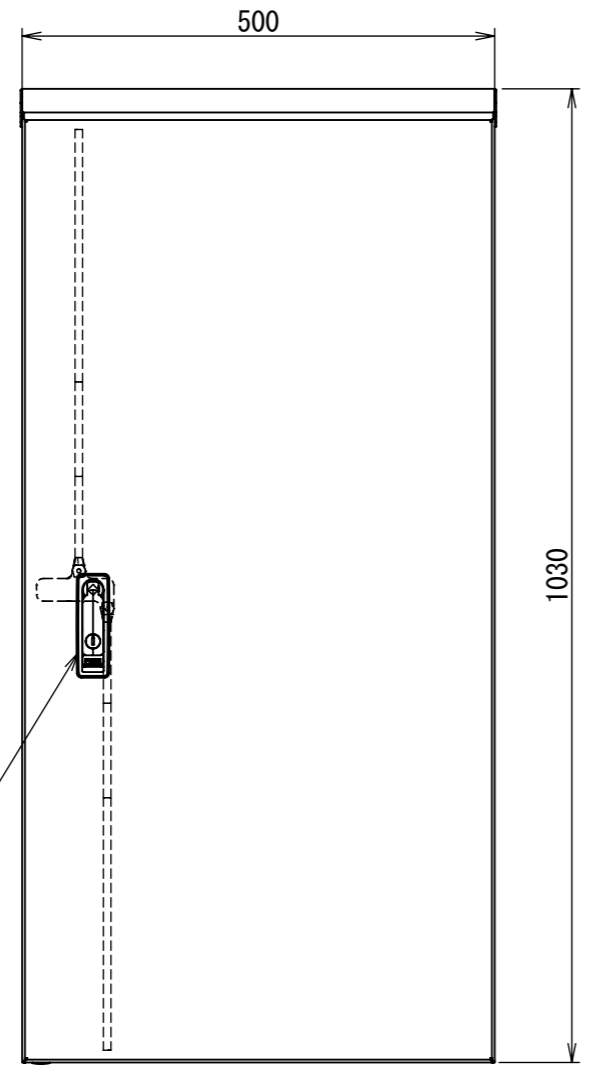


| REV. | DESCRIPTION | DATE | APPVL. |
|------|-------------|----------|--------|
| A | 新規作成 | 21/10/27 | |

2022/02/10

A
B
C
D
E
F

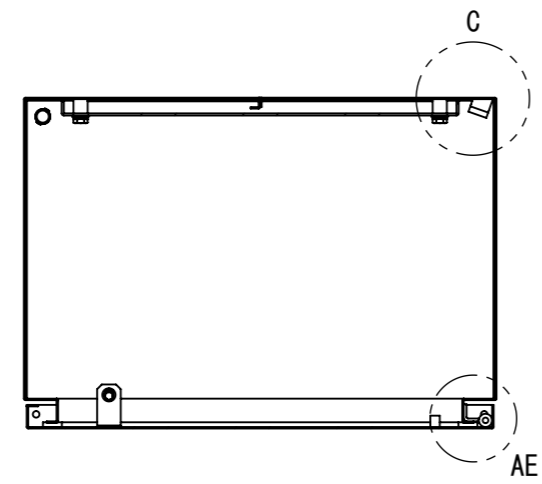
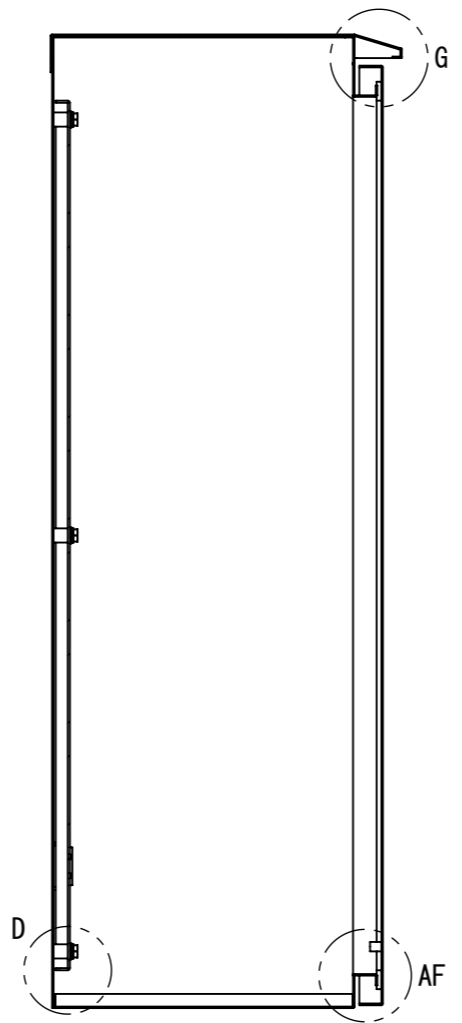
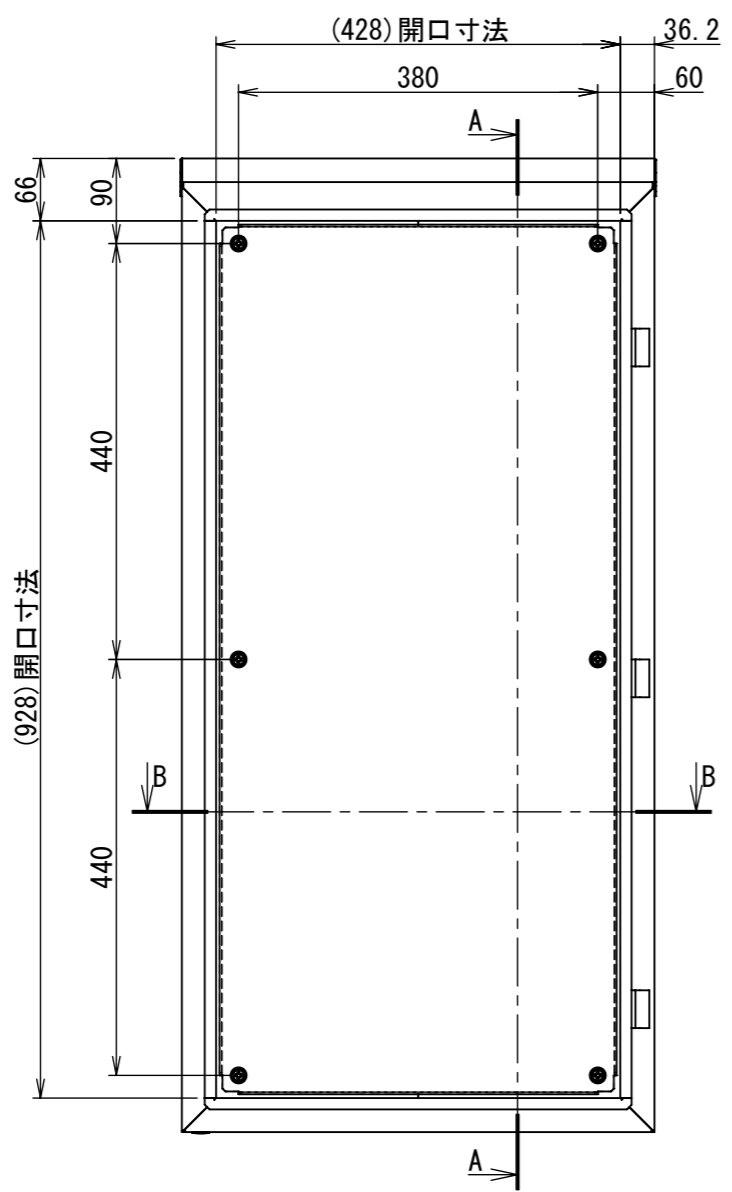


Note :
 材質 別途記載
 塗装 5Y7/1. 半ツヤ(標準色)

| | | | | | |
|-------------------------|-----------------|-------------------------|------------------------|------------------|--------------|
| Designed by Yokogawa | Checked by - | Approved by - date - | Filename FWR0000A00 | Date 21/10/27 | Scale 1:8 |
| エス・ディ・エス株式会社 | | | 制御BOX/FWR35-510S | | |
| | | | FWR0000A00 | Edition A | Sheet 1/2 |

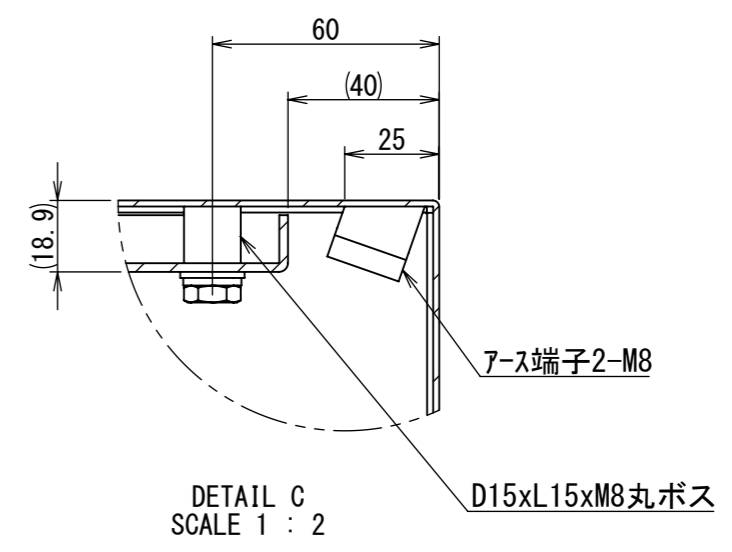
1 2 3 4 5 6 7 8

2022/02/10

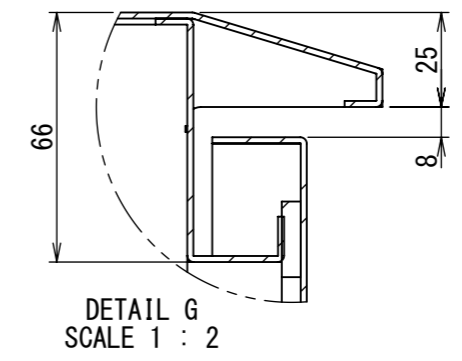


断面図 A-A

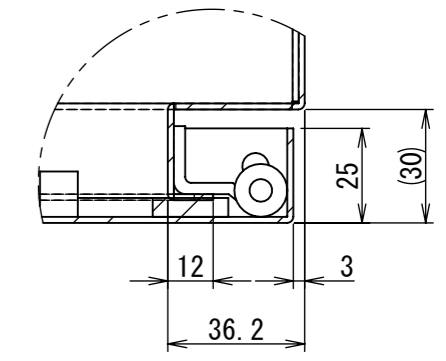
断面図 B-B



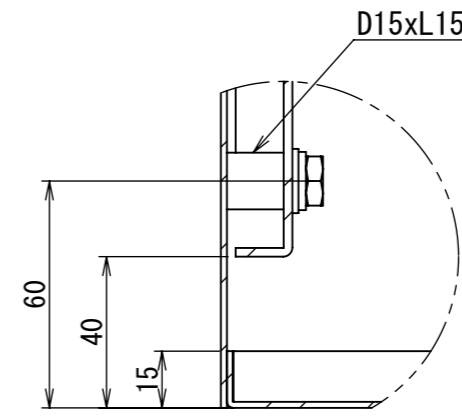
DETAIL C
SCALE 1 : 2



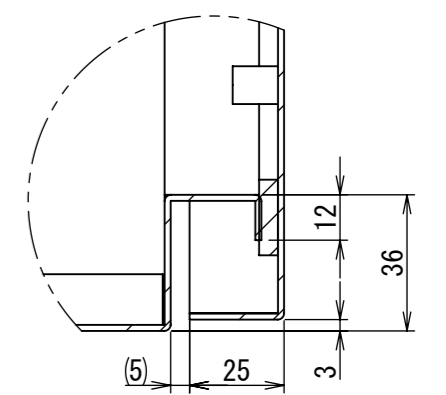
DETAIL G
SCALE 1 : 2



DETAIL AE
SCALE 1 : 2



DETAIL D
SCALE 1 : 2



DETAIL AF
SCALE 1 : 2

Note :
材質 別途記載
塗装 5Y7/1. 半ツヤ(標準色)

| | | | | | |
|-------------------------|-----------------|-------------------------|------------------------|------------------|--------------|
| Designed by Yokogawa | Checked by - | Approved by - date - | Filename FWR0000A00 | Date 21/10/27 | Scale 1:8 |
| エス・ディ・エス株式会社 | | | 制御BOX/FWR35-510S | | |
| | | | FWR0000A00 | Edition A | Sheet 2/2 |