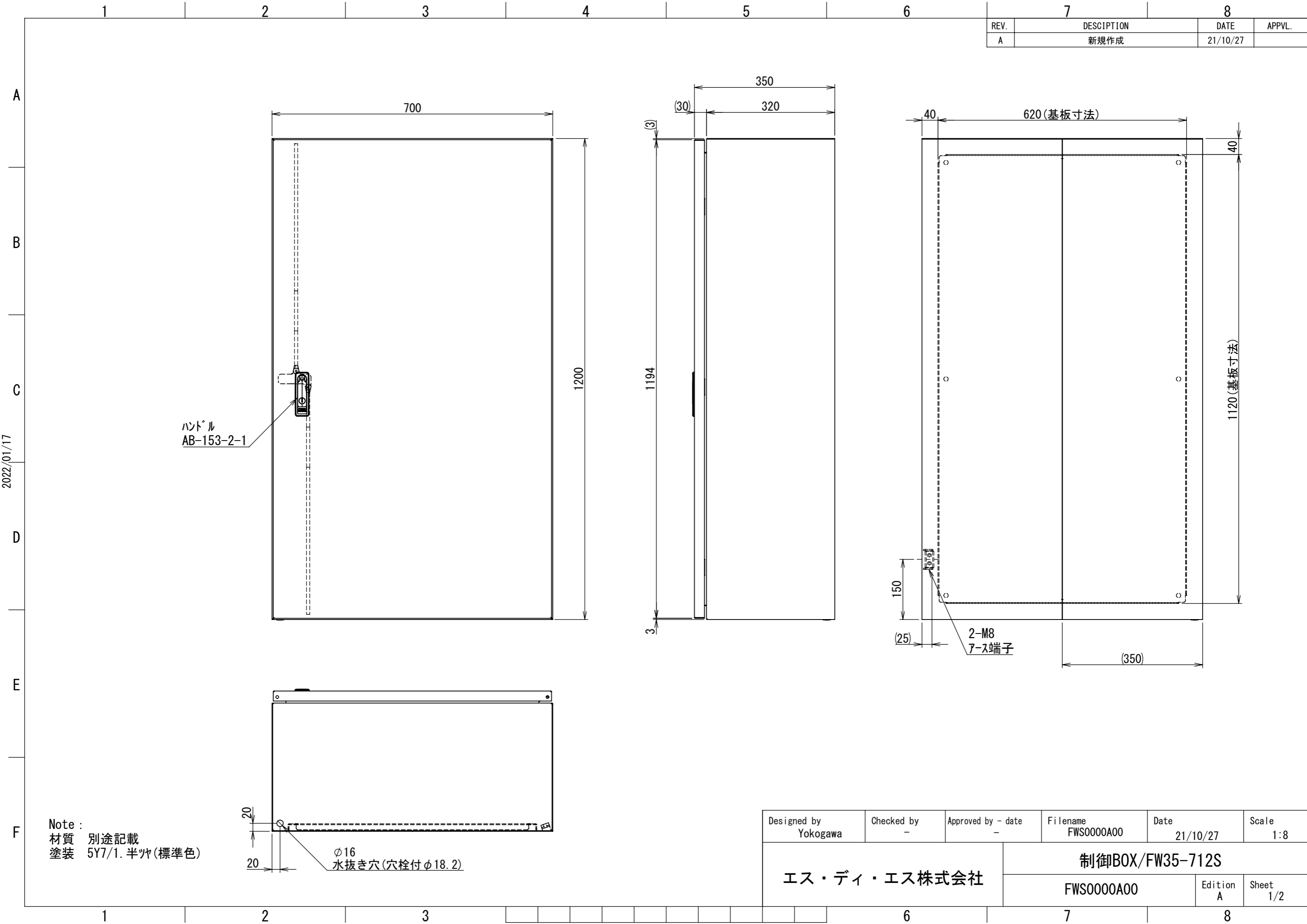


| REV. | DESCRIPTION | DATE     | APPL. |
|------|-------------|----------|-------|
| A    | 新規作成        | 21/10/27 |       |

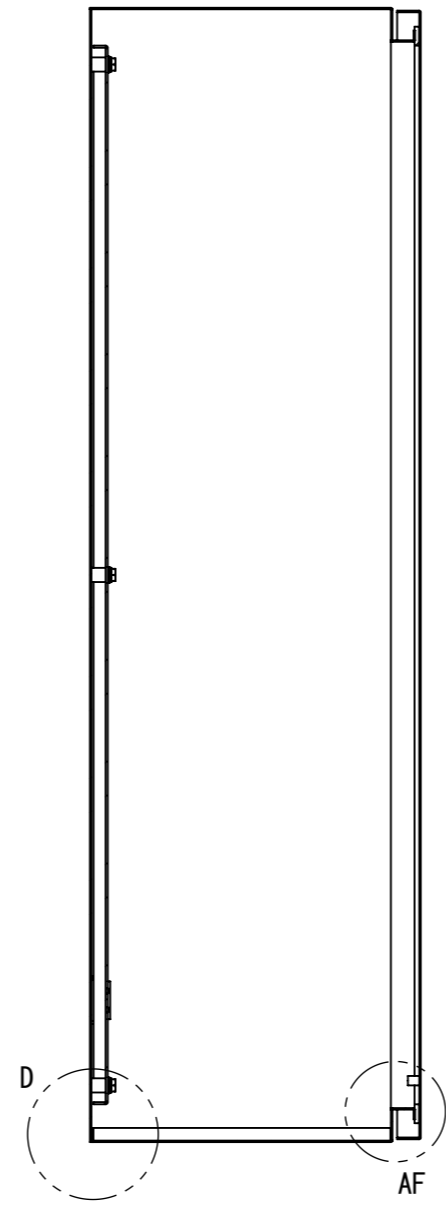
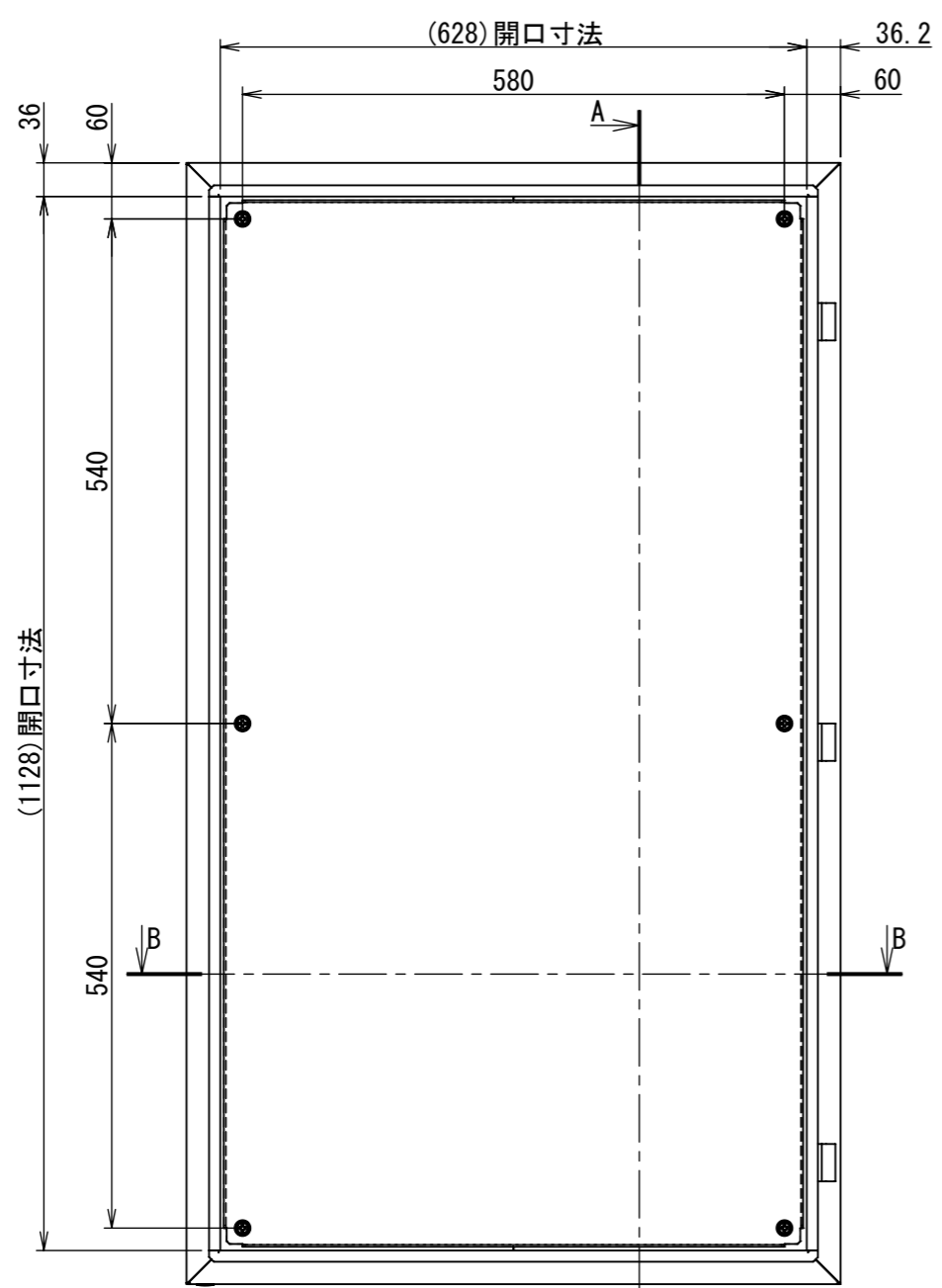


2022/01/17

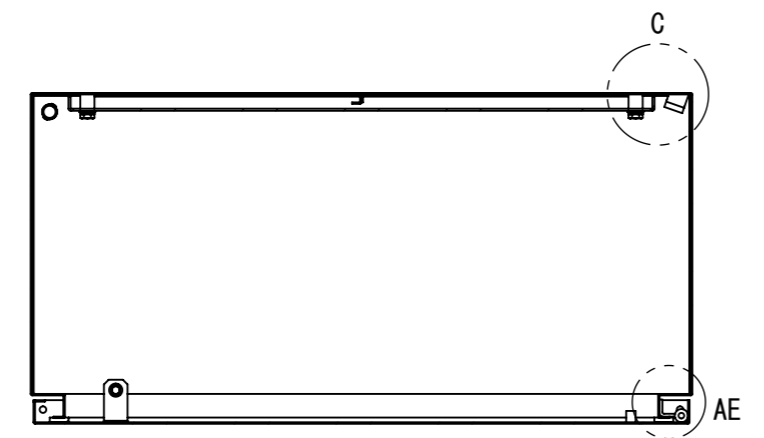
Note :  
 材質 別途記載  
 塗装 5Y7/1. 半ツヤ(標準色)

|                         |                 |                         |                        |                  |              |
|-------------------------|-----------------|-------------------------|------------------------|------------------|--------------|
| Designed by<br>Yokogawa | Checked by<br>- | Approved by - date<br>- | Filename<br>FWS0000A00 | Date<br>21/10/27 | Scale<br>1:8 |
| エス・ディ・エス株式会社            |                 |                         | 制御BOX/FW35-712S        |                  |              |
|                         |                 |                         | FWS0000A00             | Edition<br>A     | Sheet<br>1/2 |

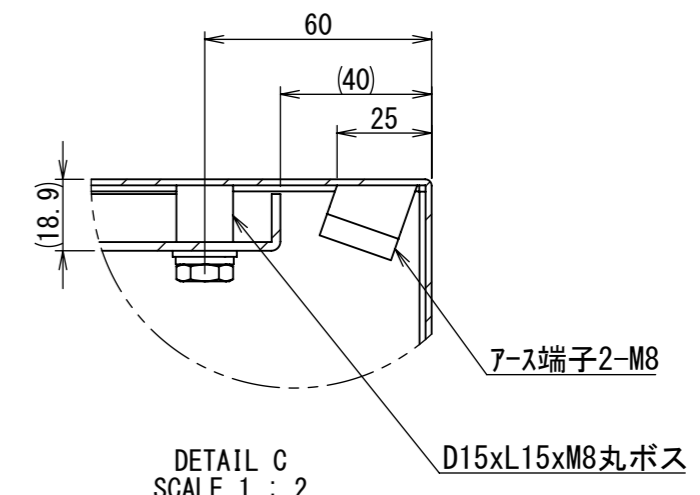
2022/01/17



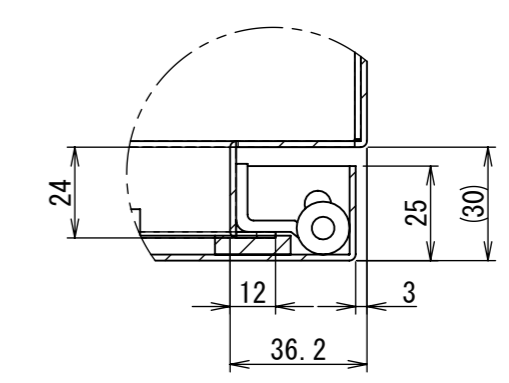
断面図 A-A



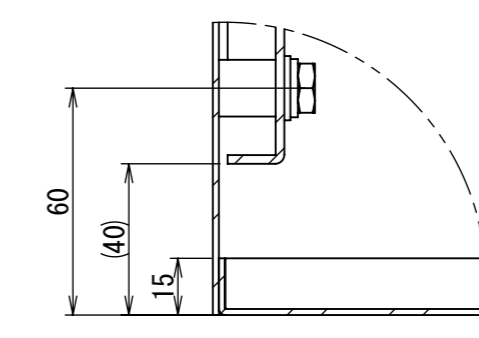
断面図 B-B



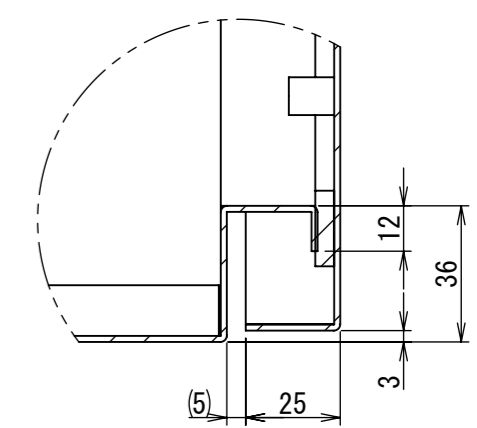
DETAIL C  
SCALE 1 : 2



DETAIL AE  
SCALE 1 : 2



DETAIL D  
SCALE 1 : 2



DETAIL AF  
SCALE 1 : 2

Note :  
材質 別途記載  
塗装 5Y7/1. 半ツヤ(標準色)

|                         |                 |                         |                        |                  |              |
|-------------------------|-----------------|-------------------------|------------------------|------------------|--------------|
| Designed by<br>Yokogawa | Checked by<br>- | Approved by - date<br>- | Filename<br>FWS0000A00 | Date<br>21/10/27 | Scale<br>1:8 |
| エス・ディ・エス株式会社            |                 |                         | 制御BOX/FW35-712S        |                  |              |
|                         |                 |                         | FWS0000A00             | Edition<br>A     | Sheet<br>2/2 |