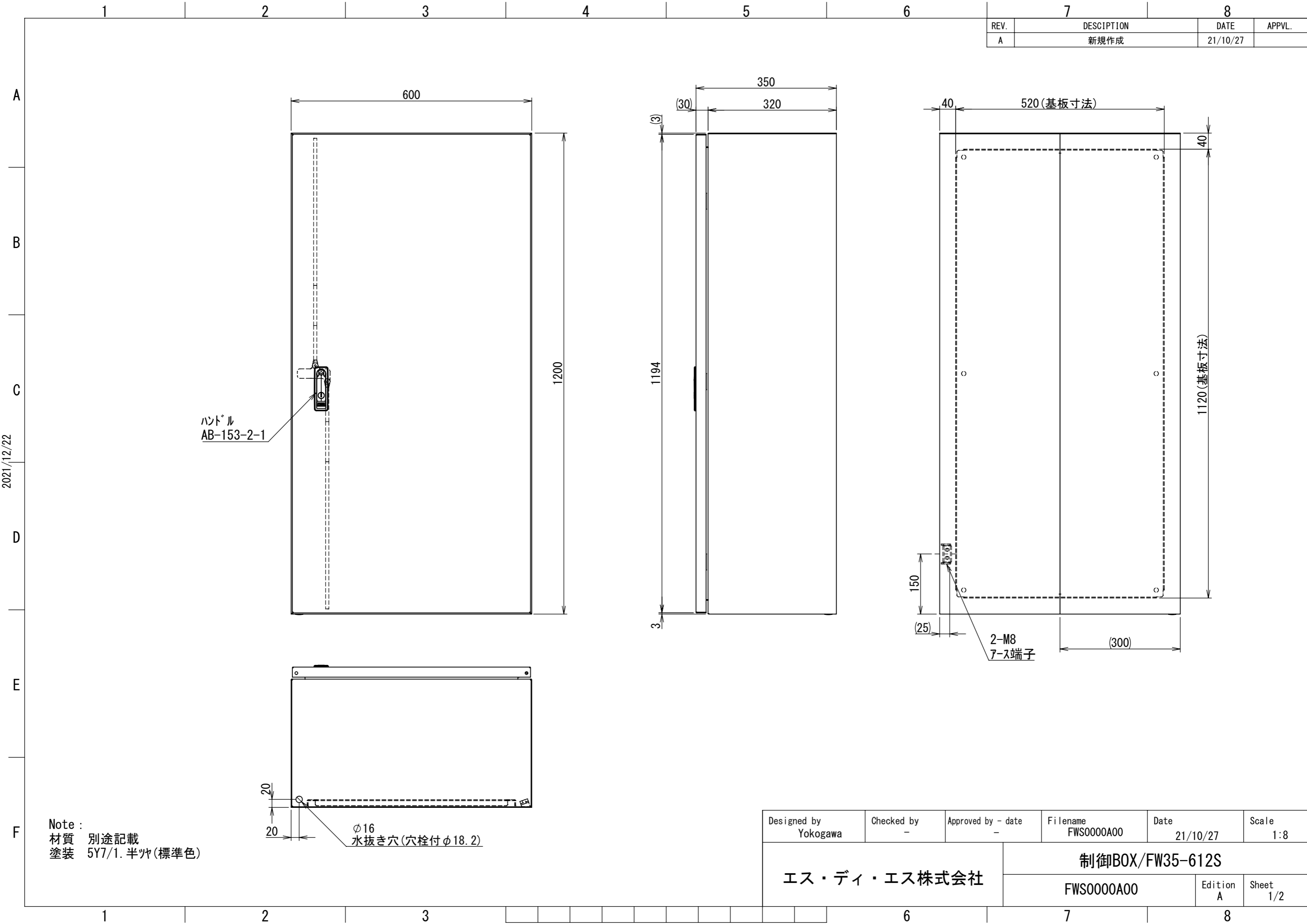


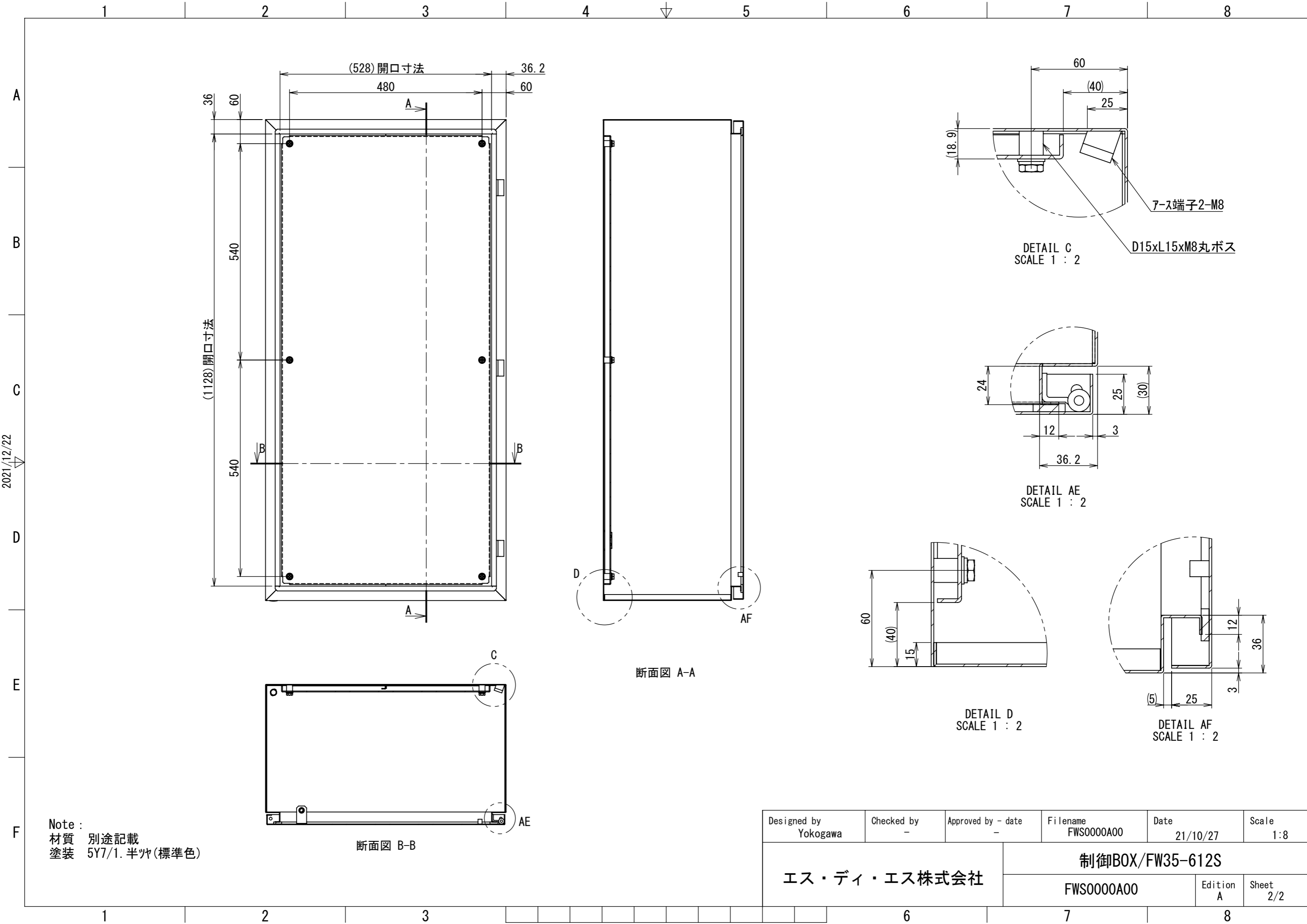
| REV. | DESCRIPTION | DATE | APPVL. |
|------|-------------|----------|--------|
| A | 新規作成 | 21/10/27 | |



2021/12/22

Note :
 材質 別途記載
 塗装 5Y7/1. 半ツヤ(標準色)

| | | | | | |
|-------------------------|-----------------|-------------------------|------------------------|------------------|--------------|
| Designed by Yokogawa | Checked by - | Approved by - date - | Filename FWS0000A00 | Date 21/10/27 | Scale 1:8 |
| エス・ディ・エス株式会社 | | | 制御BOX/FW35-612S | | |
| | | | FWS0000A00 | Edition A | Sheet 1/2 |



2021/12/22

Note :
 材質 別途記載
 塗装 5Y7/1. 半ツヤ(標準色)

断面図 B-B

断面図 A-A

DETAIL C
 SCALE 1 : 2

DETAIL AE
 SCALE 1 : 2

DETAIL D
 SCALE 1 : 2

DETAIL AF
 SCALE 1 : 2

| | | | | | |
|-------------------------|-----------------|-------------------------|------------------------|------------------|--------------|
| Designed by Yokogawa | Checked by - | Approved by - date - | Filename FWS0000A00 | Date 21/10/27 | Scale 1:8 |
| エス・ディ・エス株式会社 | | | 制御BOX/FW35-612S | | |
| | | | FWS0000A00 | Edition A | Sheet 2/2 |