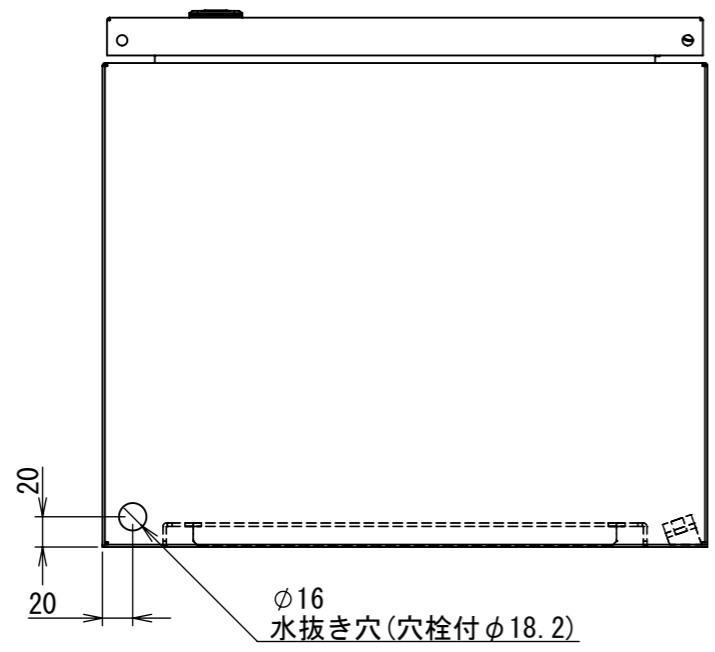
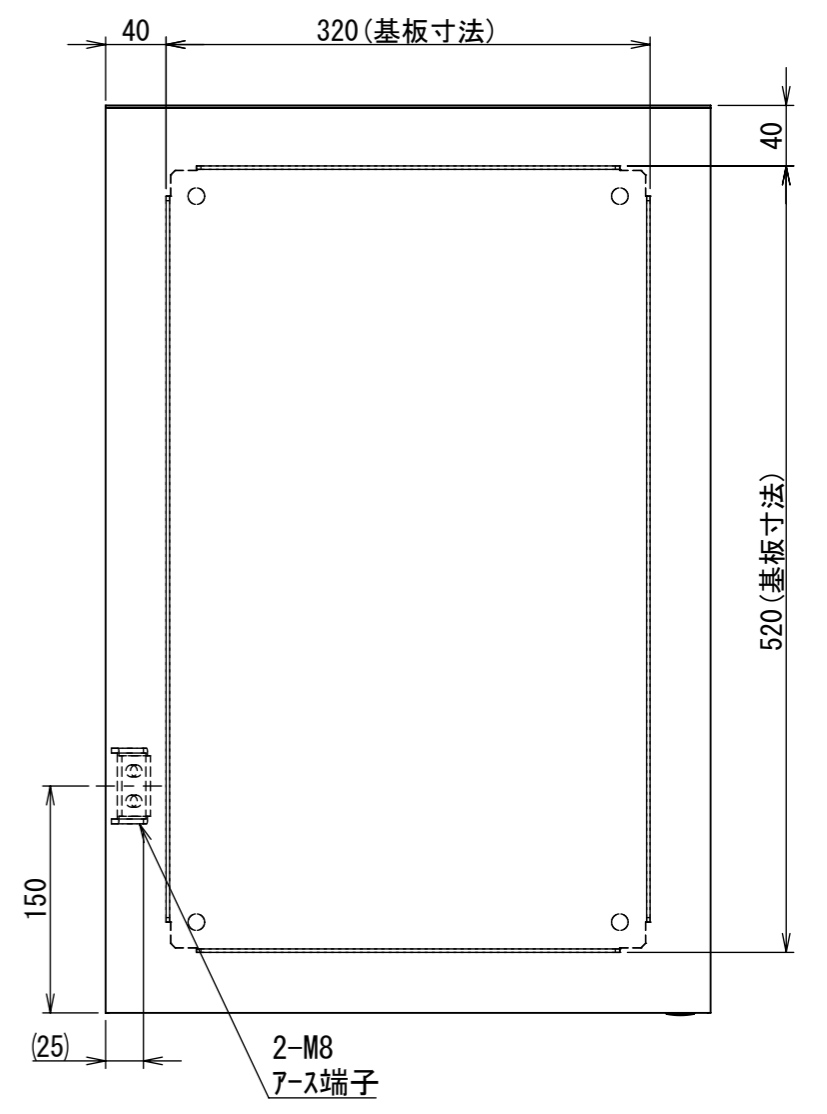
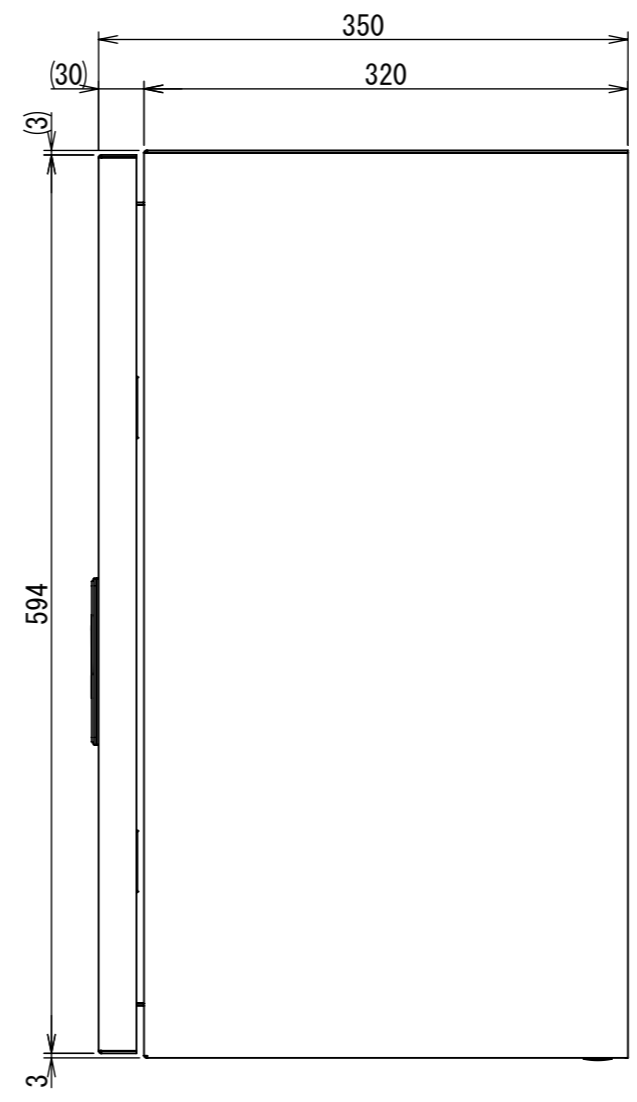
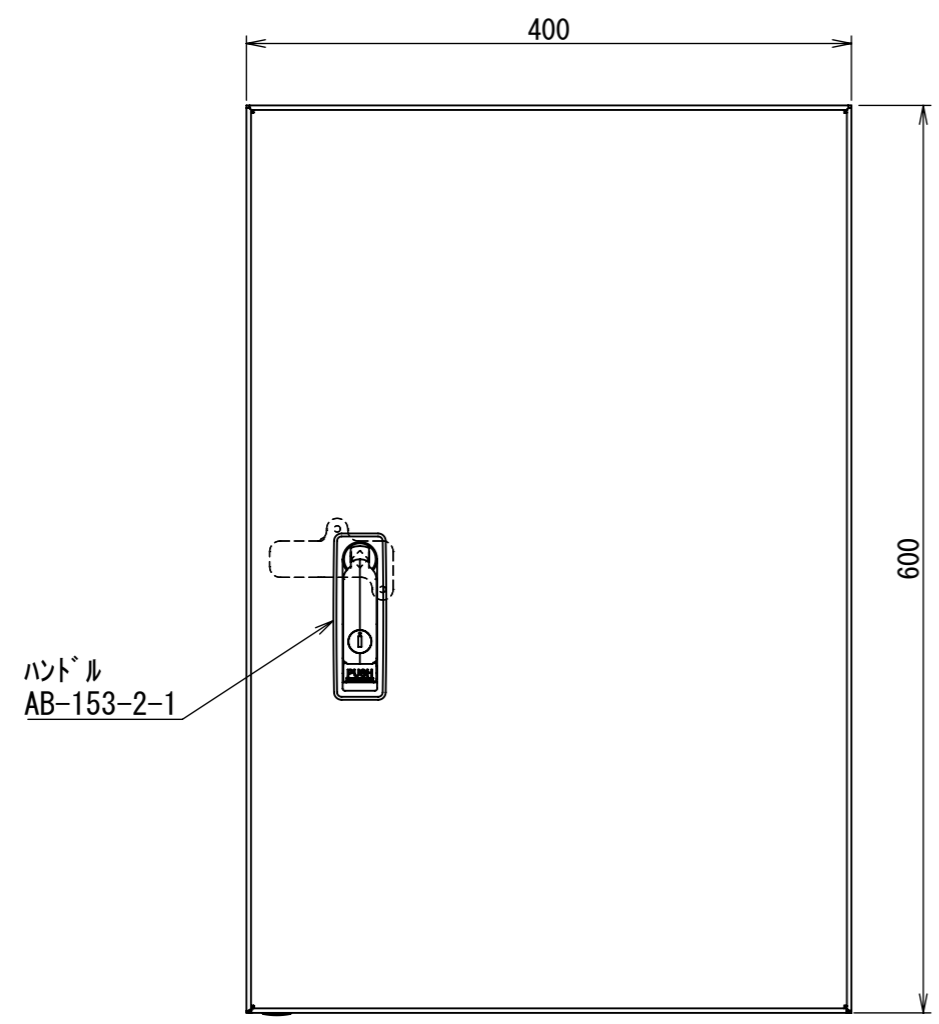


1 2 3 4 5 6 7 8

| REV. | DESCRIPTION | DATE | APPL. |
|------|-------------|----------|-------|
| A | 新規作成 | 21/10/27 | |

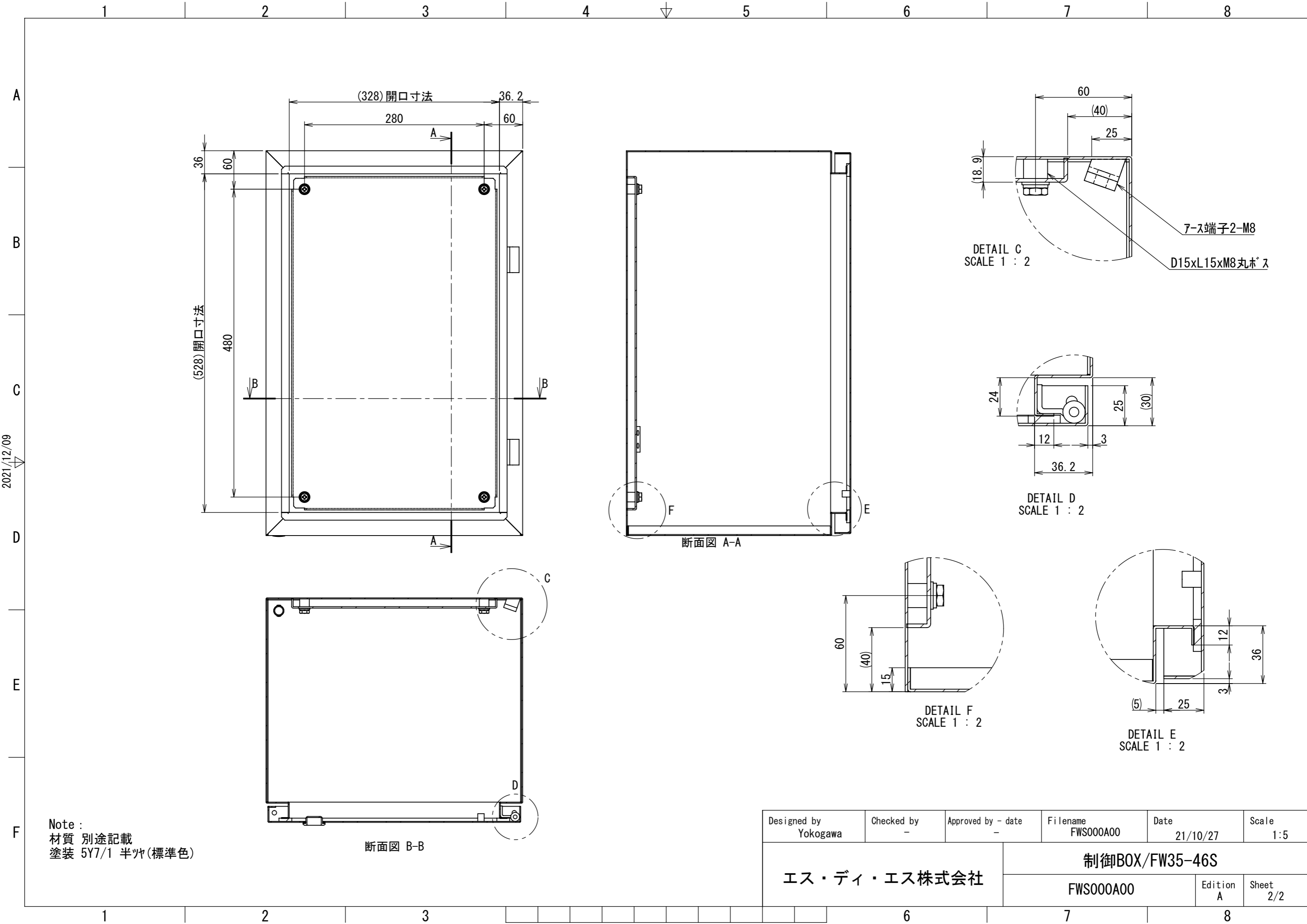
A
B
C
D
E
F



Note :
材質 別途記載
塗装 5Y7/1 半ツヤ(標準色)

| | | | | | |
|-------------------------|-----------------|-------------------------|-----------------------|------------------|--------------|
| Designed by Yokogawa | Checked by - | Approved by - date - | Filename FWS000A00 | Date 21/10/27 | Scale 1:5 |
| エス・ディ・エス株式会社 | | | 制御BOX/FW35-46S | | |
| | | | FWS000A00 | Edition A | Sheet 1/2 |

1 2 3 4 5 6 7 8



Note :
 材質 別途記載
 塗装 5Y7/1 半ツヤ(標準色)

| | | | | | |
|-------------------------|-----------------|-------------------------|-----------------------|------------------|--------------|
| Designed by Yokogawa | Checked by - | Approved by - date - | Filename FWS000A00 | Date 21/10/27 | Scale 1:5 |
| エス・ディ・エス株式会社 | | | 制御BOX/FW35-46S | | |
| | | | FWS000A00 | Edition A | Sheet 2/2 |

2021/12/09