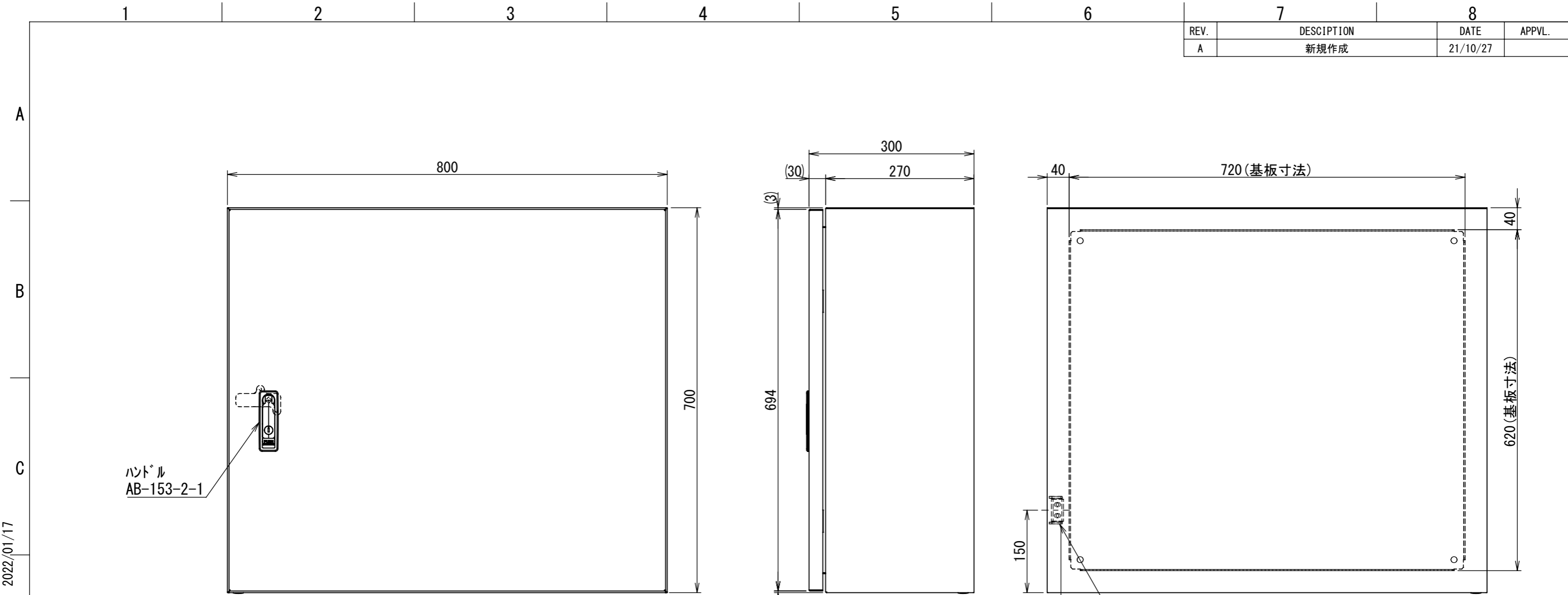
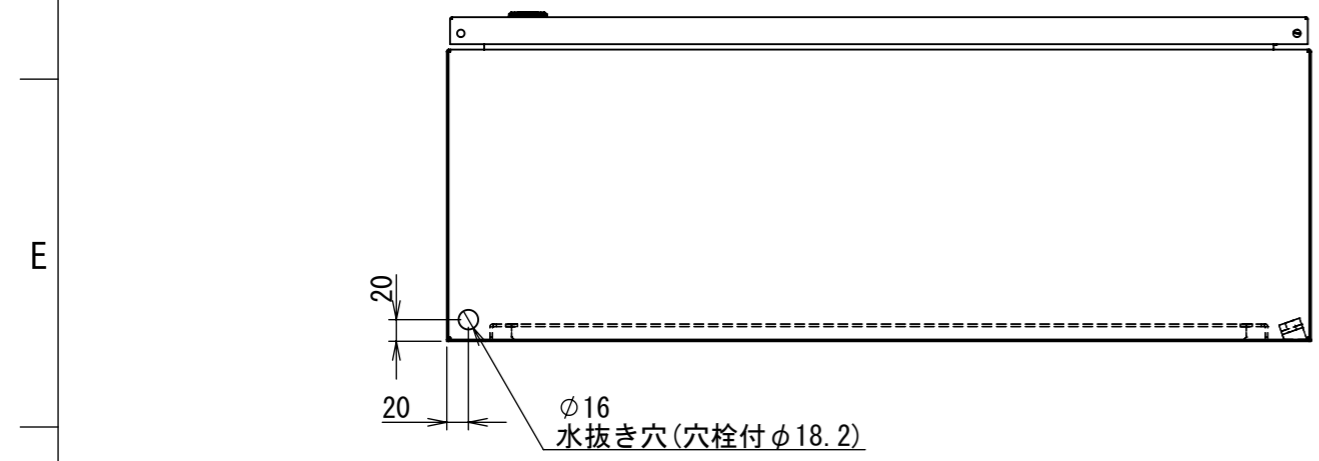


| REV. | DESCRIPTION | DATE | APPVL. |
|------|-------------|----------|--------|
| A | 新規作成 | 21/10/27 | |

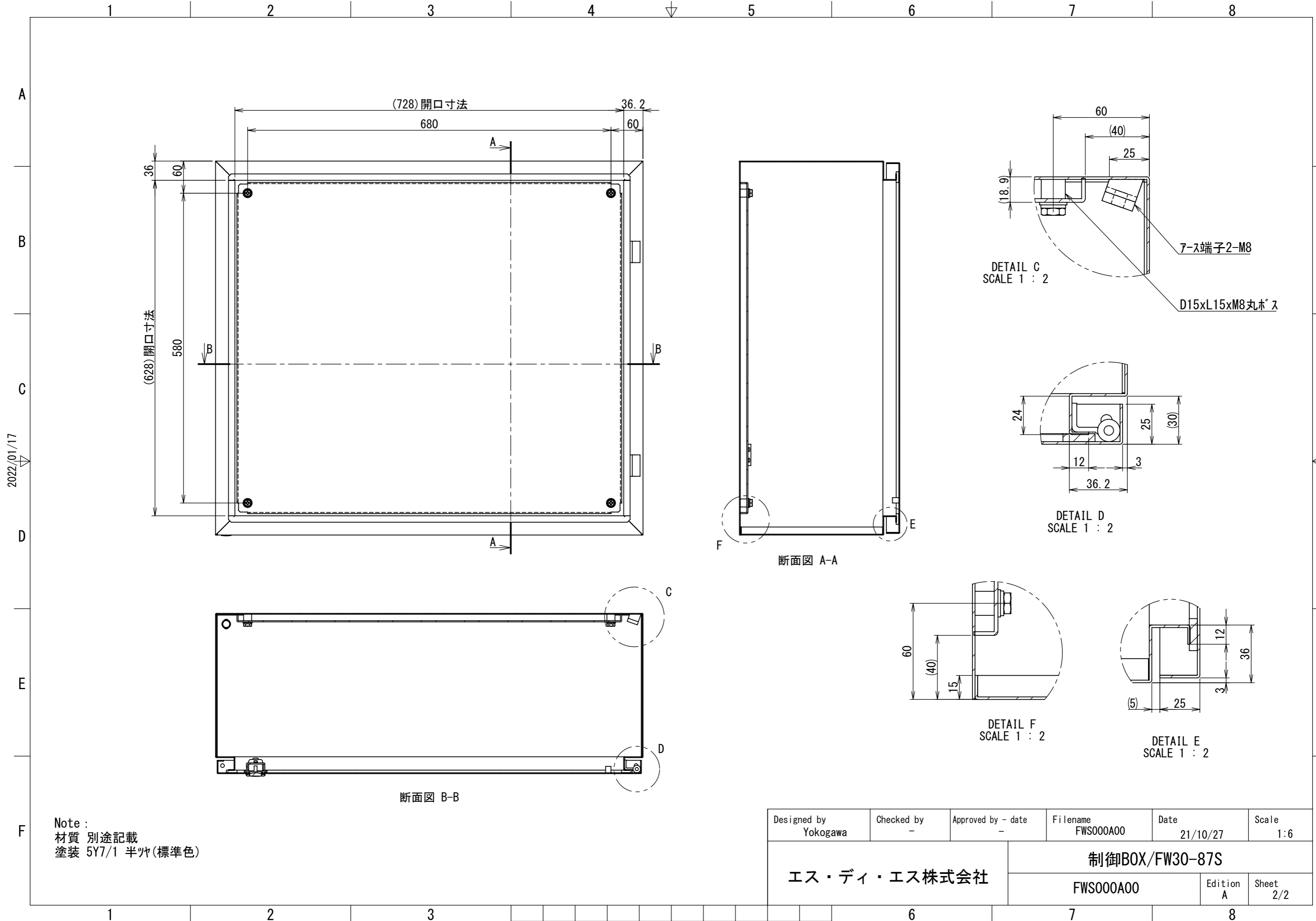


2022/01/17



Note :
 材質 別途記載
 塗装 5Y7/1 半ツヤ(標準色)

| | | | | | |
|-------------------------|-----------------|-------------------------|-----------------------|------------------|--------------|
| Designed by Yokogawa | Checked by - | Approved by - date - | Filename FWS000A00 | Date 21/10/27 | Scale 1:7 |
| エス・ディ・エス株式会社 | | | 制御BOX/FW30-87S | | |
| | | | FWS000A00 | Edition A | Sheet 1/2 |



2022/01/17

Note :
 材質 別途記載
 塗装 5Y7/1 半ツヤ(標準色)

| | | | | | |
|-------------------------|-----------------|-------------------------|-----------------------|------------------|--------------|
| Designed by Yokogawa | Checked by - | Approved by - date - | Filename FWS000A00 | Date 21/10/27 | Scale 1:6 |
| エス・ディ・エス株式会社 | | | 制御BOX/FW30-87S | | |
| | | | FWS000A00 | Edition A | Sheet 2/2 |