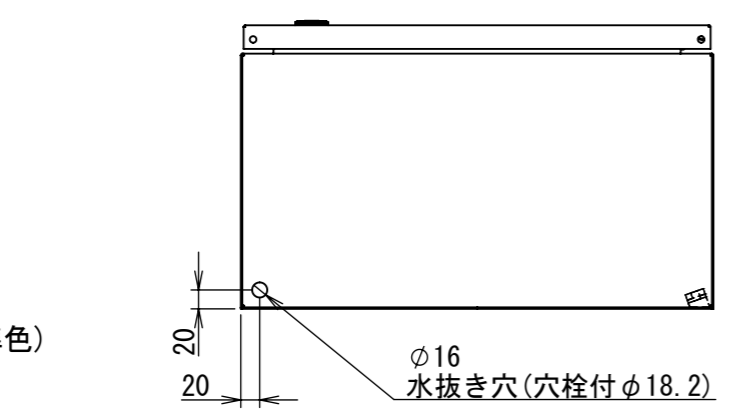
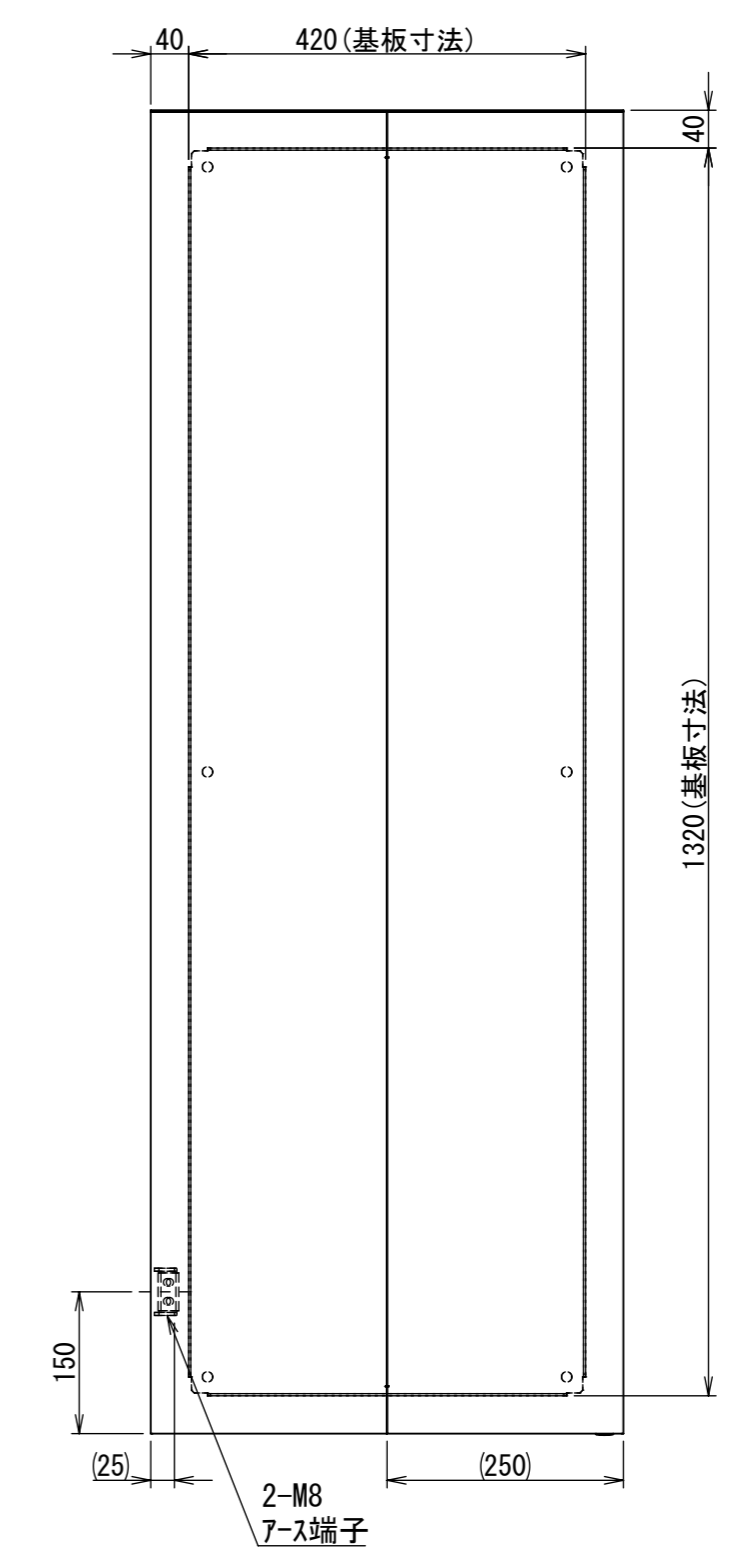
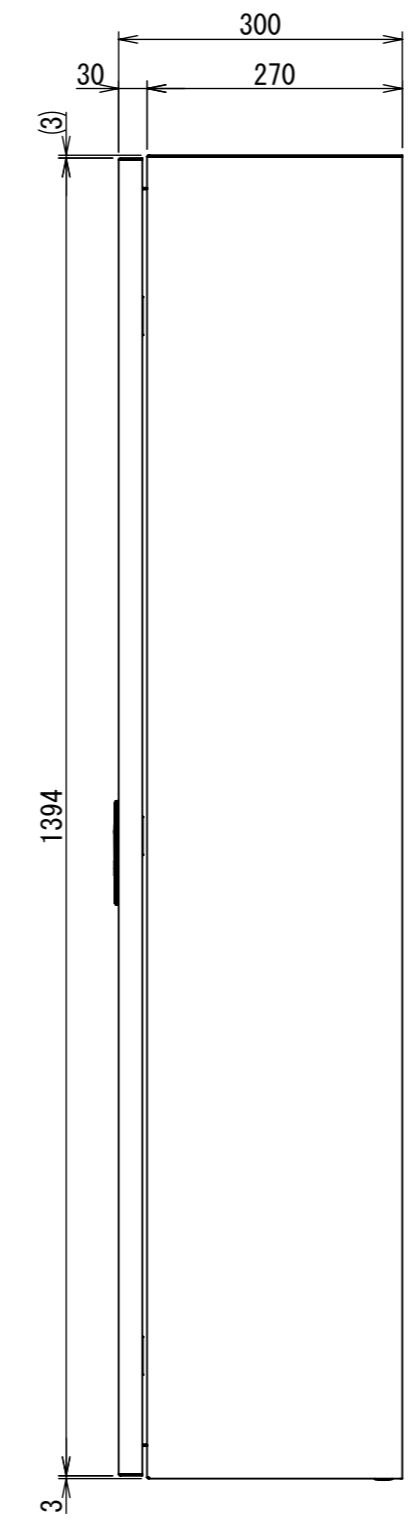
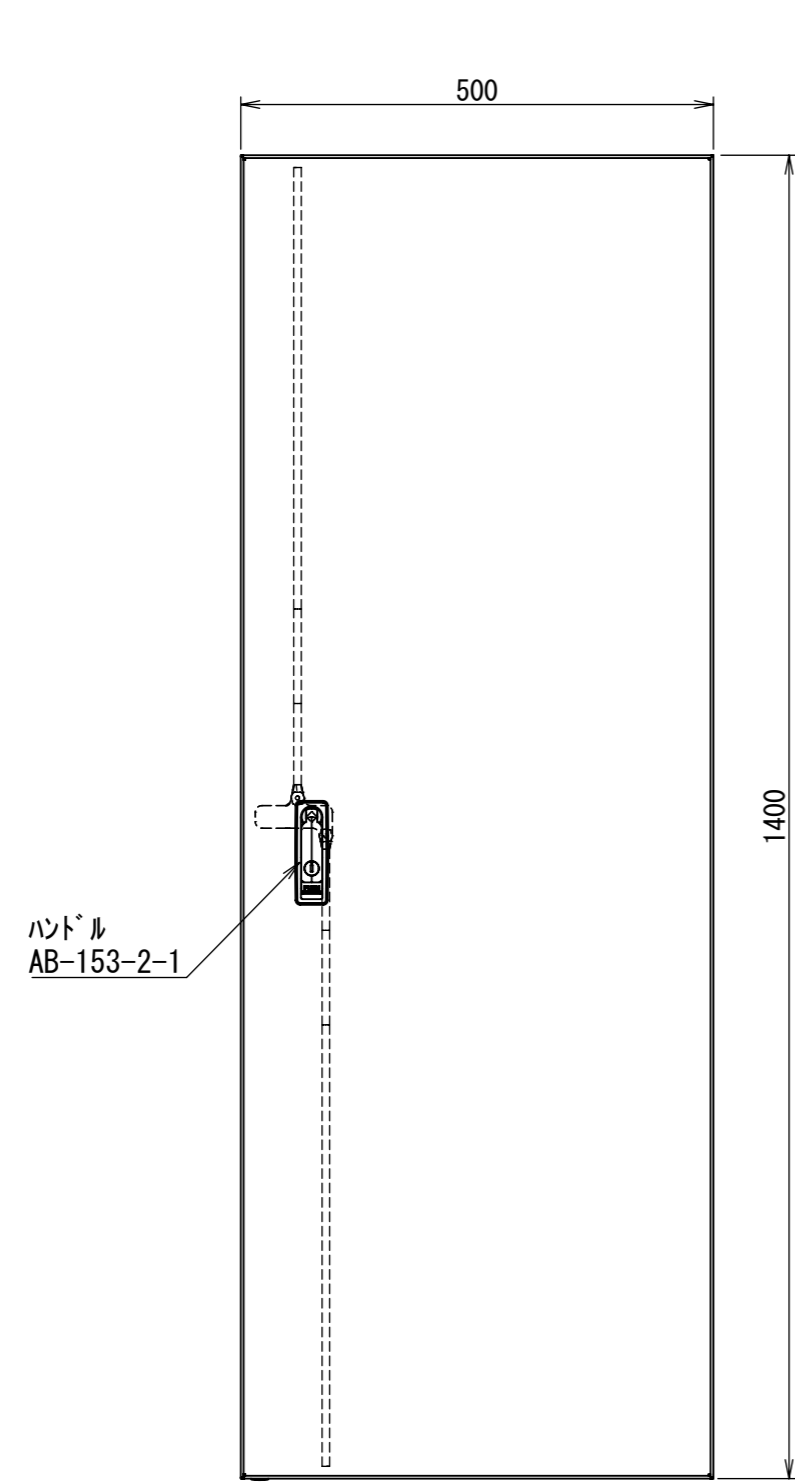


| REV. | DESCRIPTION | DATE | APPVL. |
|------|-------------|----------|--------|
| A | 新規作成 | 21/10/27 | |

2021/12/21

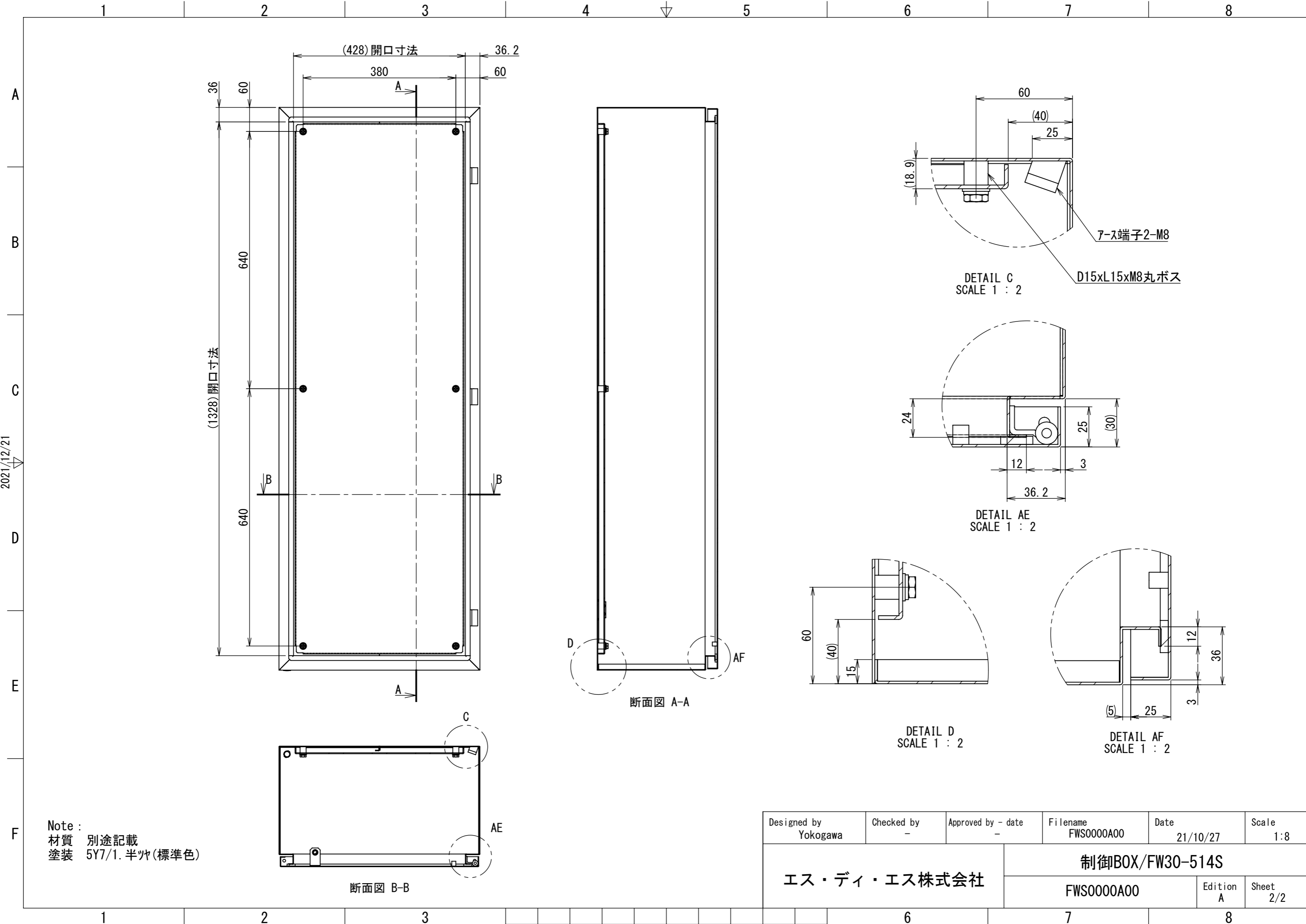
A
B
C
D
E
F

A
B
C
D
E
F



Note :
材質 別途記載
塗装 5Y7/1. 半ツヤ(標準色)

| | | | | | |
|-------------------------|-----------------|-------------------------|------------------------|------------------|--------------|
| Designed by Yokogawa | Checked by - | Approved by - date - | Filename FWS0000A00 | Date 21/10/27 | Scale 1:8 |
| エス・ディ・エス株式会社 | | | 制御BOX/FW30-514S | | |
| | | | FWS0000A00 | Edition A | Sheet 1/2 |



2021/12/21

Note :
 材質 別途記載
 塗装 5Y7/1. 半ツヤ (標準色)

| | | | | | |
|-------------------------|-----------------|-------------------------|------------------------|------------------|--------------|
| Designed by Yokogawa | Checked by - | Approved by - date - | Filename FWS0000A00 | Date 21/10/27 | Scale 1:8 |
| エス・ディ・エス株式会社 | | | 制御BOX/FW30-514S | | |
| | | | FWS0000A00 | Edition A | Sheet 2/2 |