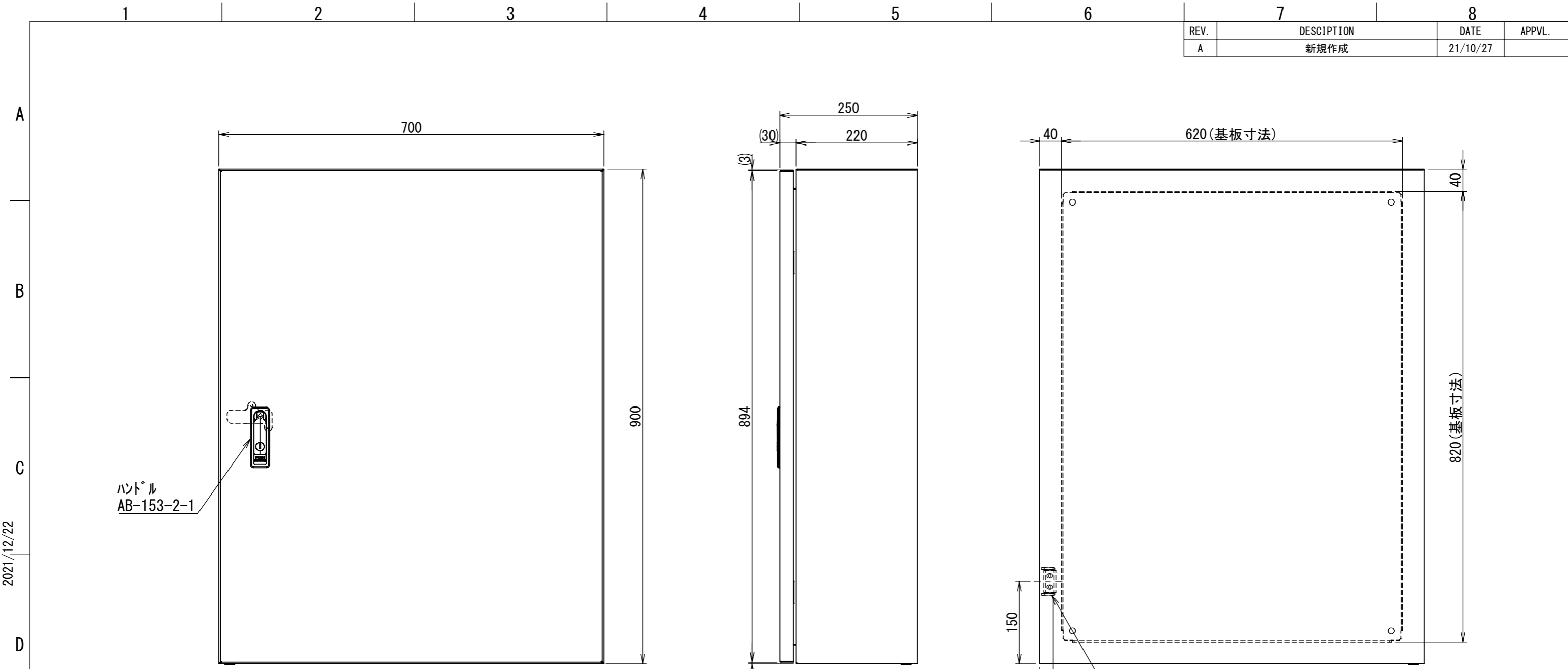


| REV. | DESCRIPTION | DATE | APPL. |
|------|-------------|----------|-------|
| A | 新規作成 | 21/10/27 | |



2021/12/22

ハンドル
AB-153-2-1

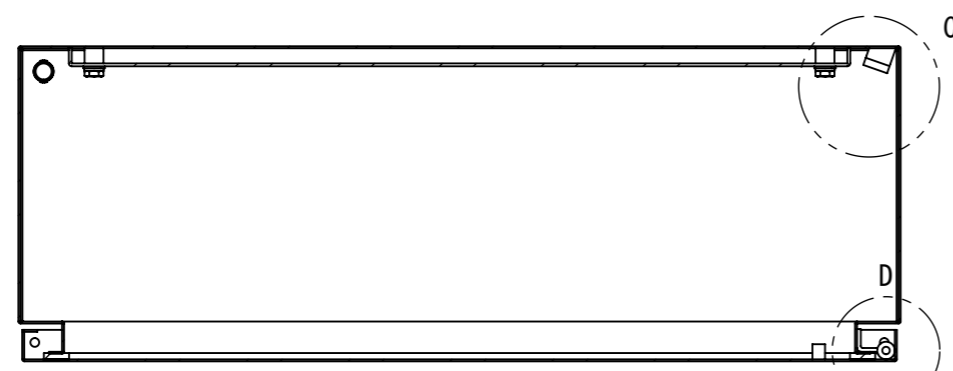
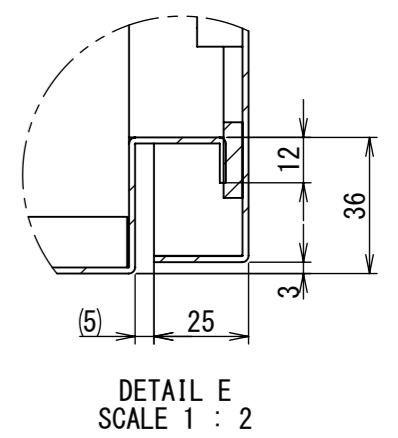
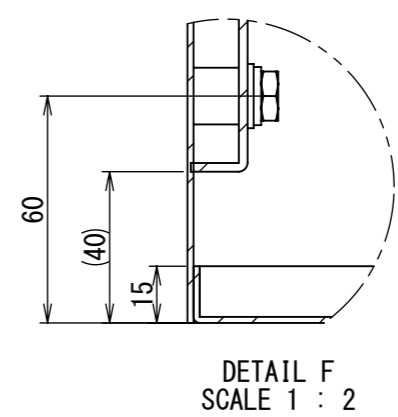
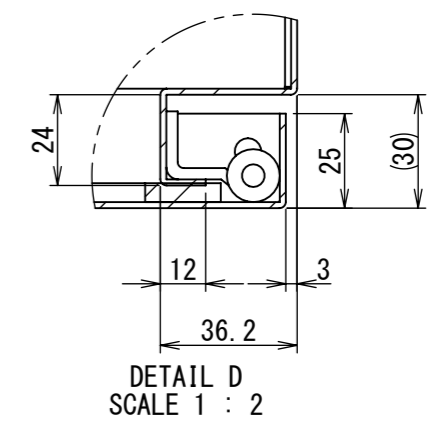
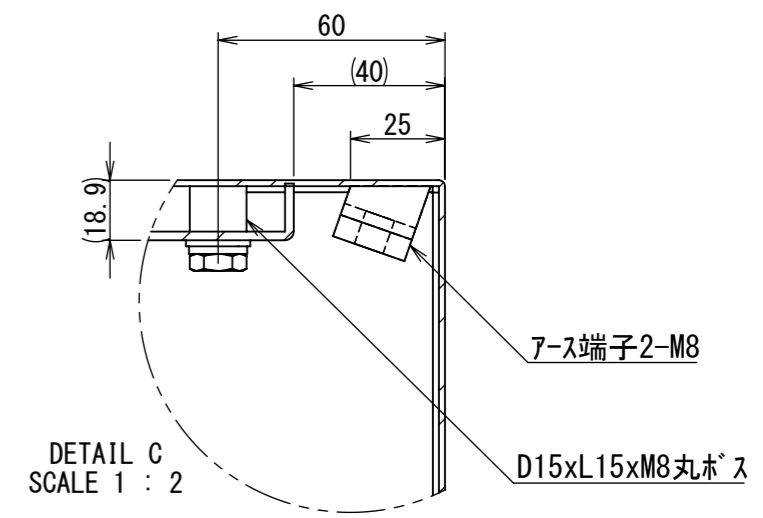
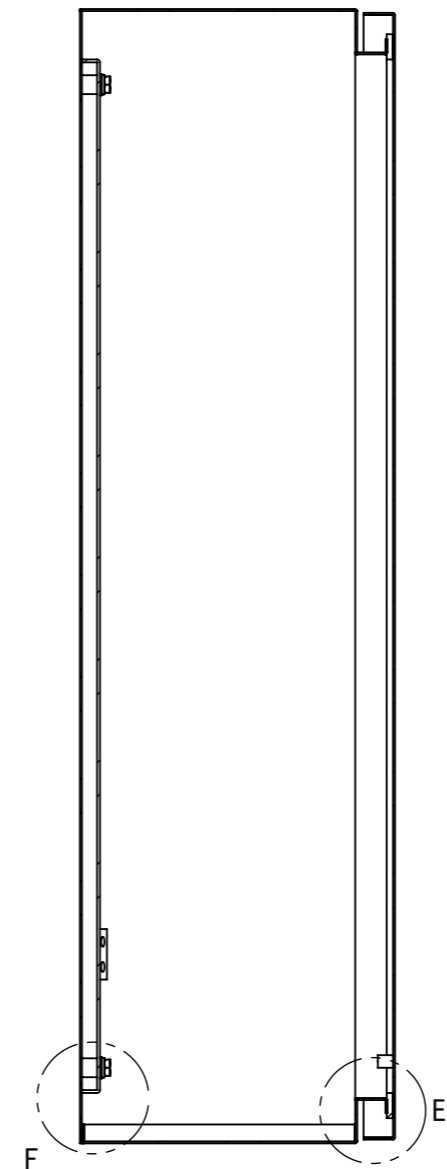
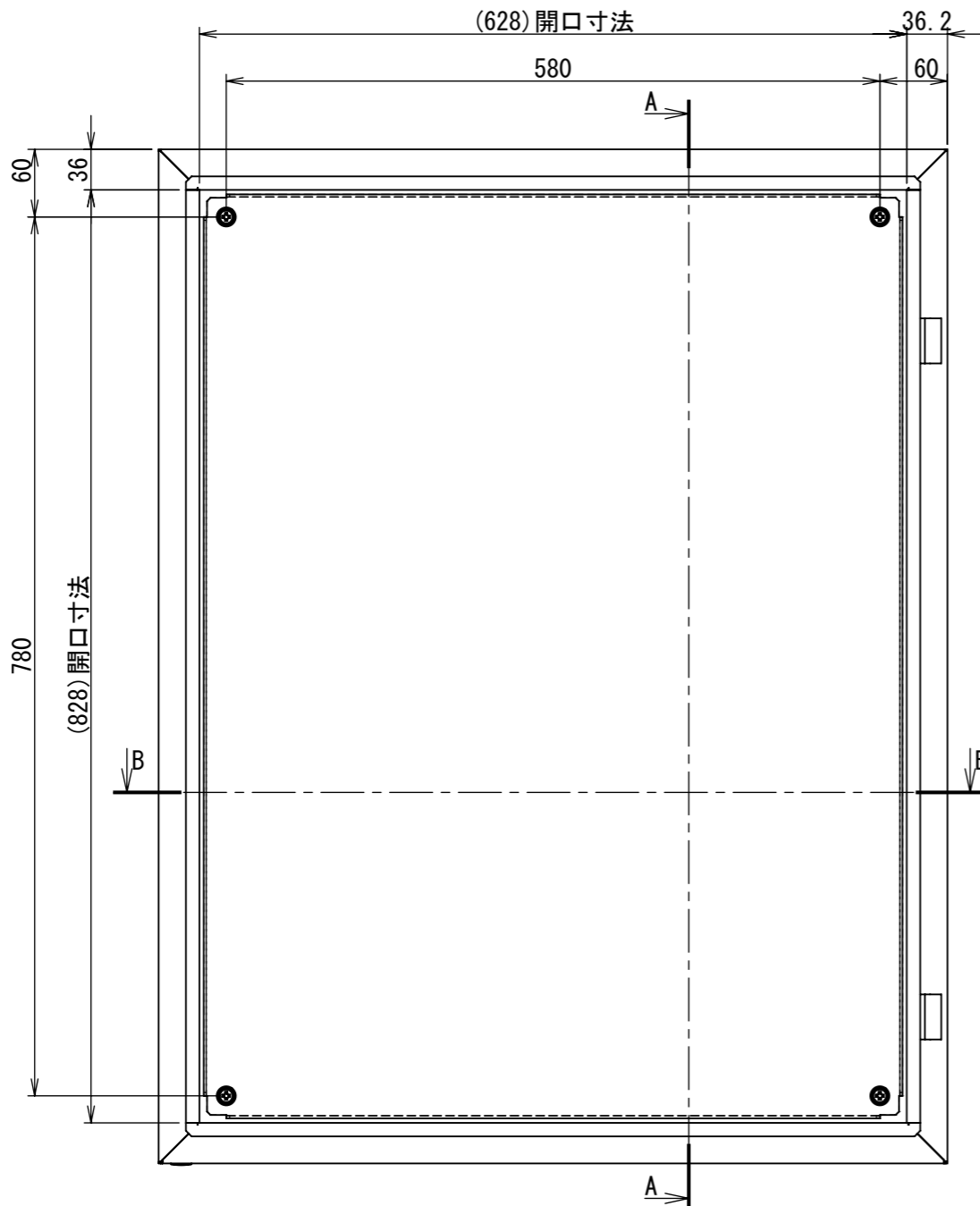
2-M8
アース端子

φ16
水抜き穴(穴栓付φ18.2)

Note :
材質 別途記載
塗装 5Y7/1 半ツヤ(標準色)

| | | | | | |
|-------------------------|-----------------|-------------------------|-----------------------|------------------|--------------|
| Designed by Yokogawa | Checked by - | Approved by - date - | Filename FWS000A00 | Date 21/10/27 | Scale 1:7 |
| エス・ディ・エス株式会社 | | | 制御BOX/FW25-79S | | |
| | | | FWS000A00 | Edition A | Sheet 1/2 |

2021/12/22



Note :
材質 別途記載
塗装 5Y7/1 半ツヤ(標準色)

| | | | | | |
|-------------------------|-----------------|-------------------------|-----------------------|------------------|--------------|
| Designed by Yokogawa | Checked by - | Approved by - date - | Filename FWS000A00 | Date 21/10/27 | Scale 1:6 |
| エス・ディ・エス株式会社 | | | 制御BOX/FW25-79S | | |
| | | | FWS000A00 | Edition A | Sheet 2/2 |