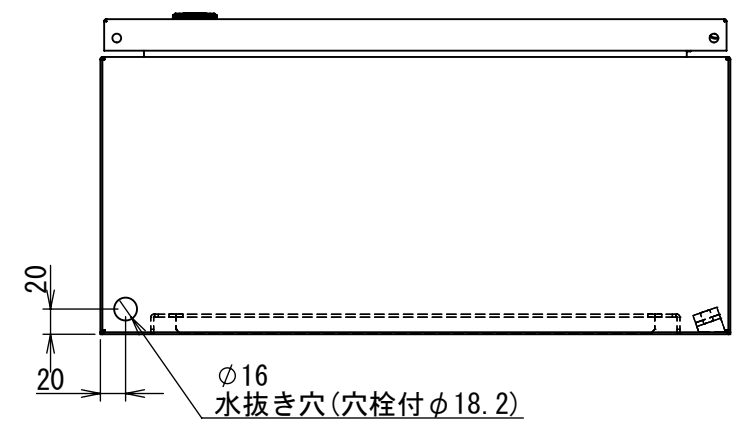
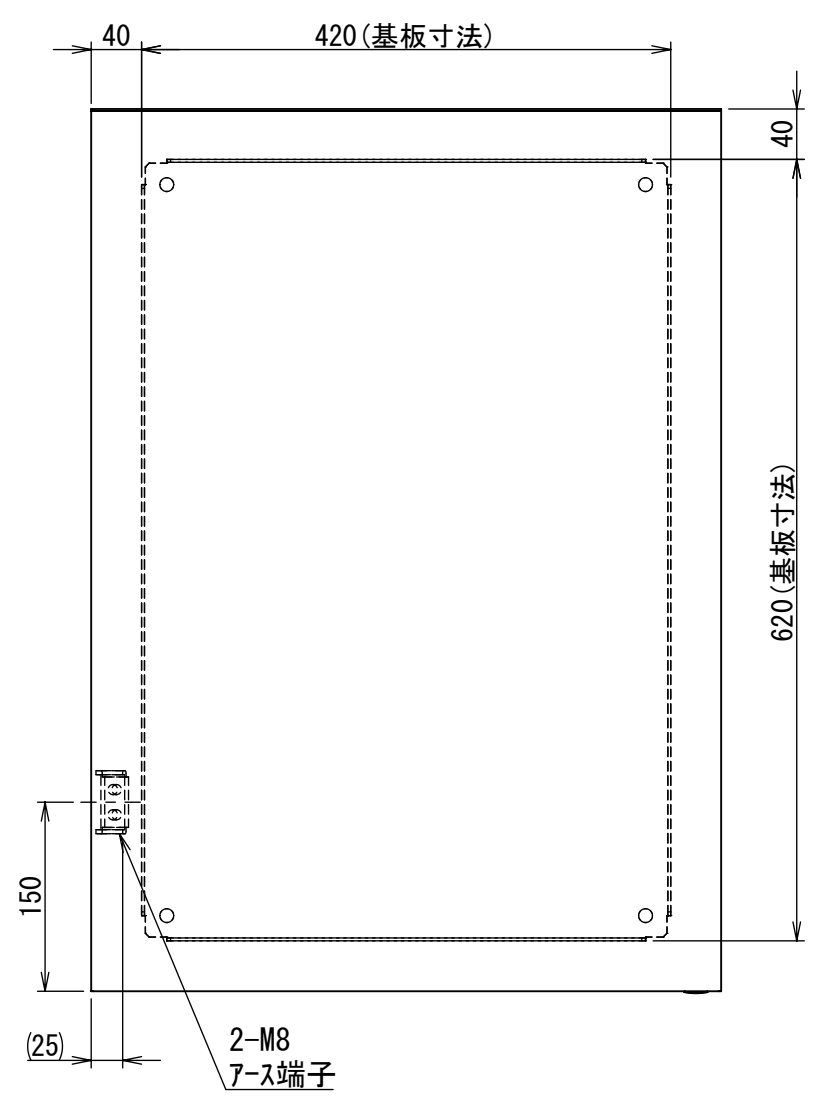
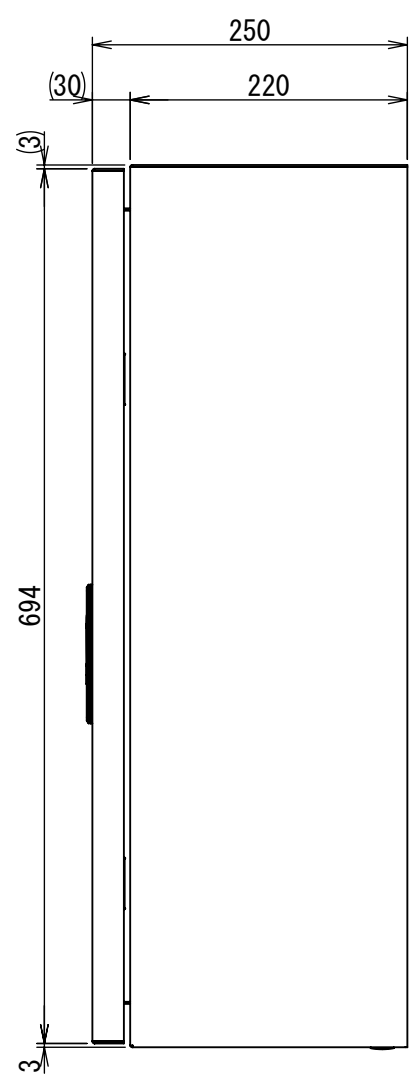
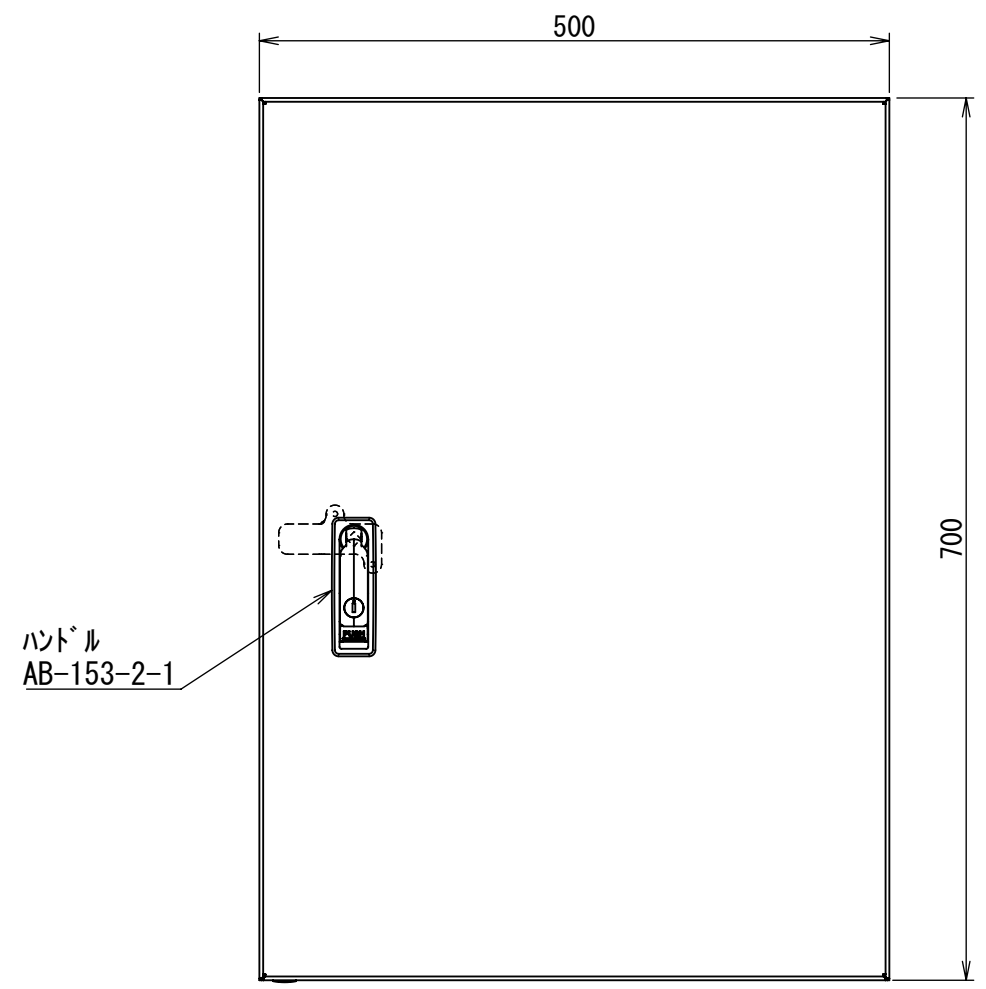


REV.	DESCRIPTION	DATE	APPVL.
A	新規作成	21/10/27	



Note :
材質 別途記載
塗装 5Y7/1 半ツヤ(標準色)

Designed by Yokogawa	Checked by -	Approved by - date -	Filename FWS000A00	Date 21/10/27	Scale 1:6
エス・ディ・エス株式会社			制御BOX/FW25-57S		
			FWS000A00	Edition A	Sheet 1/2

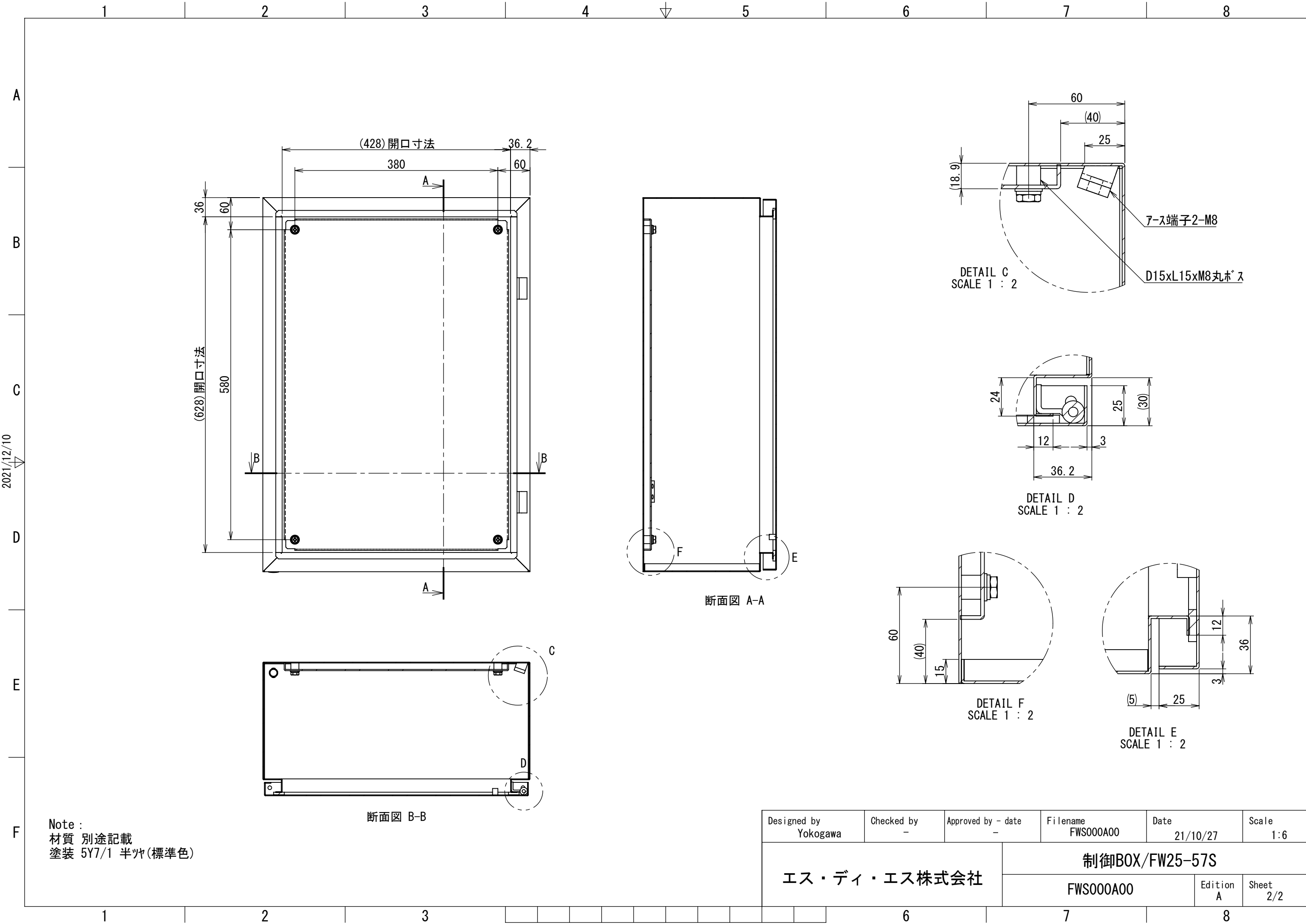
2021/12/10

A
B
C
D
E
F

A
B
C
D
E
F

1 2 3 4 5 6 7 8

1 2 3 4 5 6 7 8



2021/12/10

Note :
 材質 別途記載
 塗装 5Y7/1 半ツヤ(標準色)

Designed by Yokogawa	Checked by -	Approved by - date -	Filename FWS000A00	Date 21/10/27	Scale 1:6
エス・ディ・エス株式会社			制御BOX/FW25-57S		
			FWS000A00	Edition A	Sheet 2/2