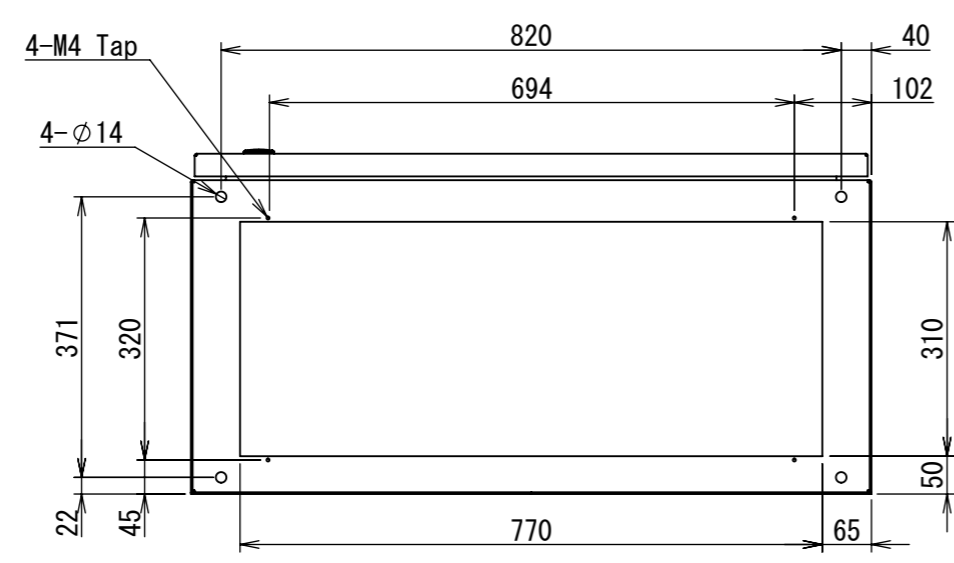
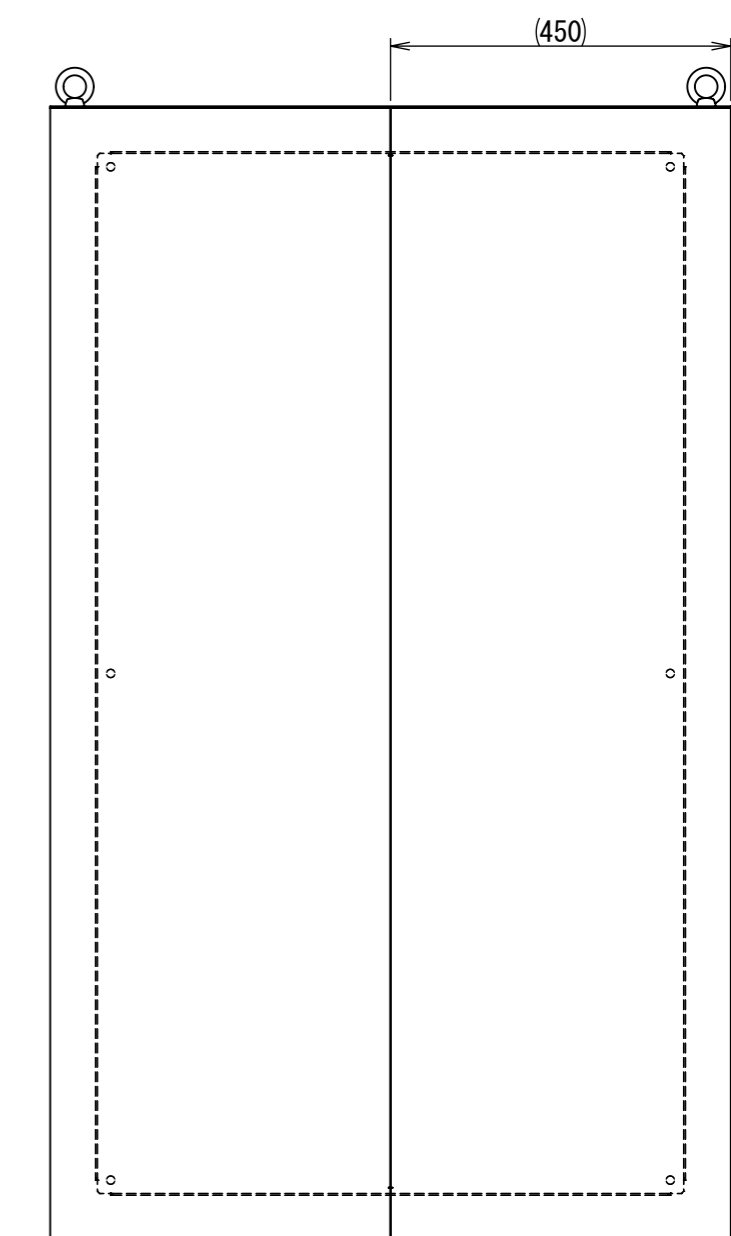
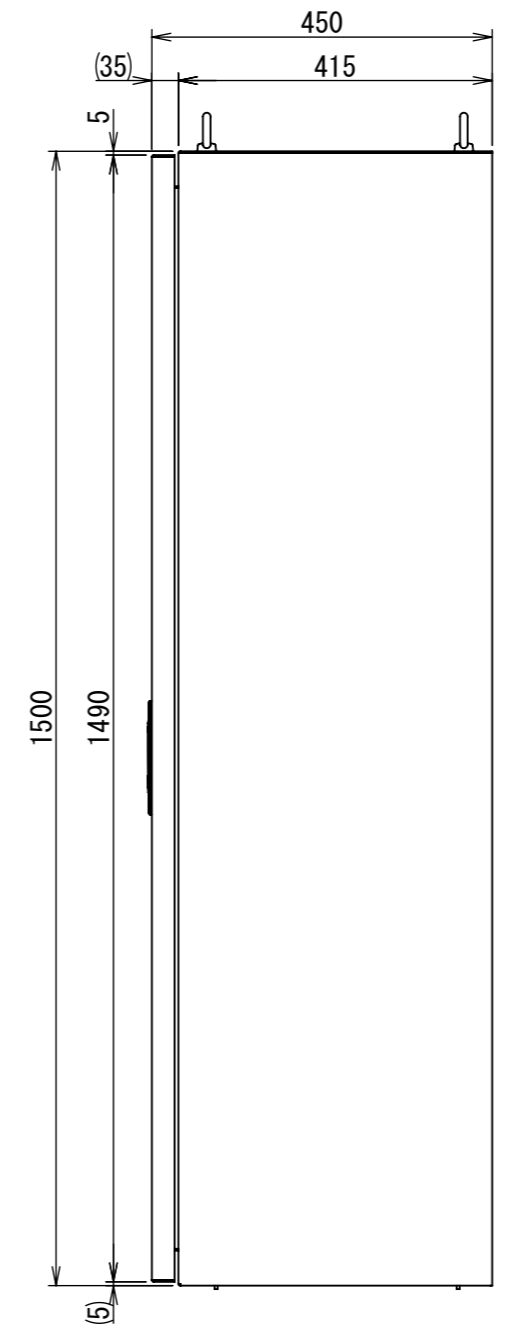
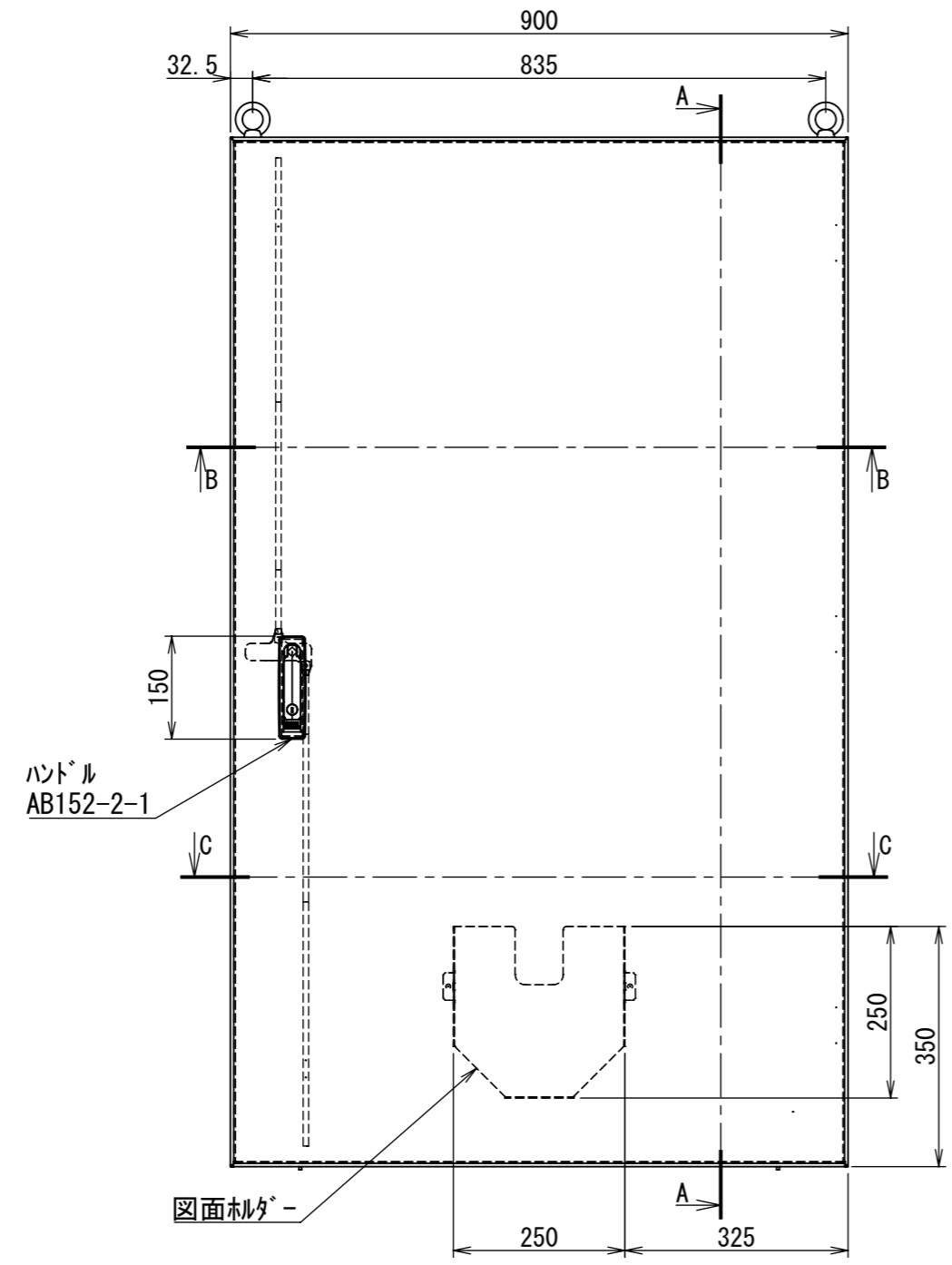


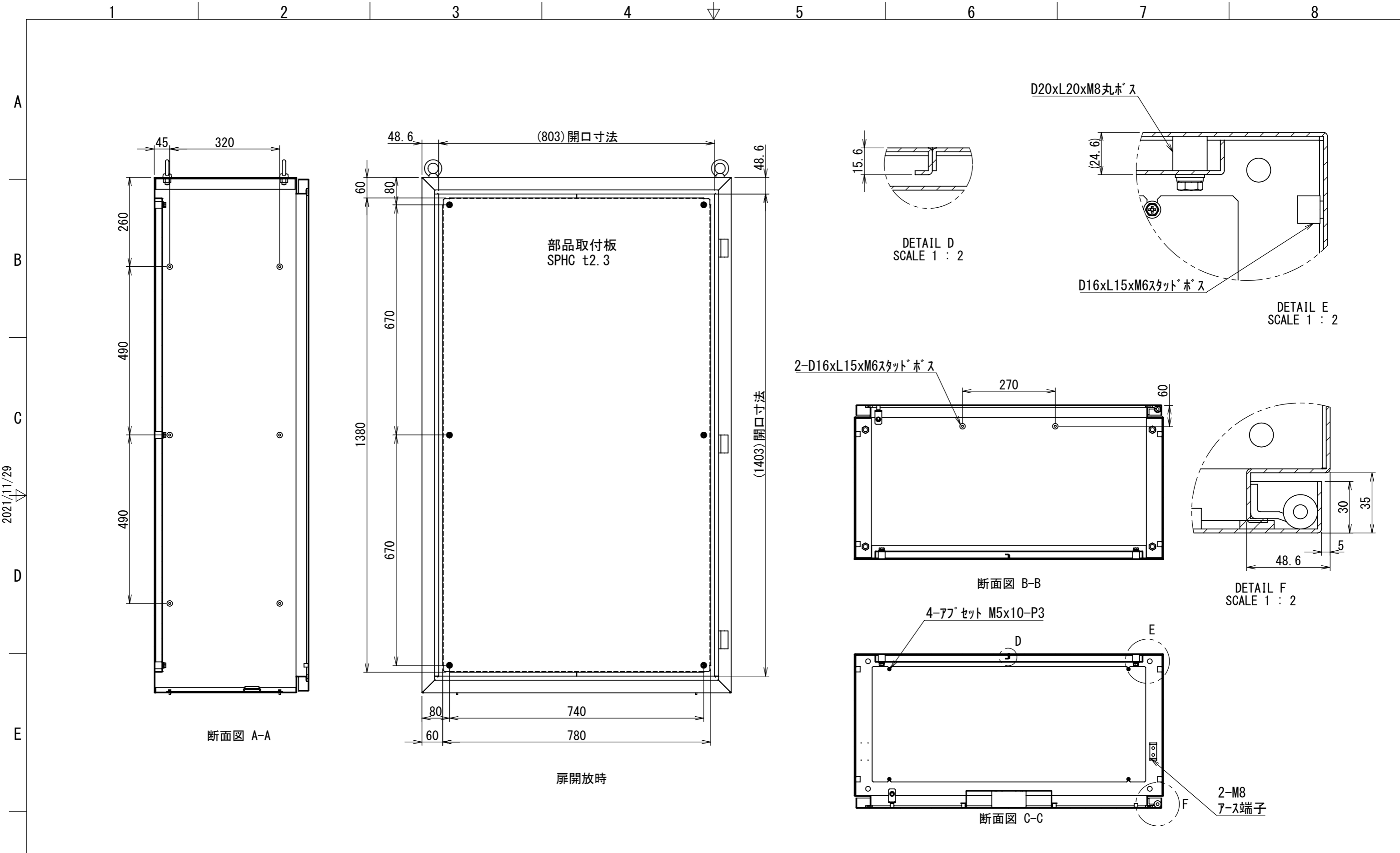
| REV. | DESCRIPTION | DATE     | APPVL. |
|------|-------------|----------|--------|
| A    | 新規作成        | 21/10/27 |        |

2021/11/29



Note :  
材質 別途記載  
塗装 5Y7/1. 半ツヤ(標準色)

|                         |                 |                         |                       |                  |               |
|-------------------------|-----------------|-------------------------|-----------------------|------------------|---------------|
| Designed by<br>Yokogawa | Checked by<br>- | Approved by - date<br>- | Filename<br>FES000A00 | Date<br>21/10/27 | Scale<br>1:10 |
| エス・ディ・エス株式会社            |                 |                         | 自立盤/FE45-915S         |                  |               |
|                         |                 |                         | FES000A00             | Edition<br>A     | Sheet<br>1/2  |



2021/11/29

Note :  
 材質 別途記載  
 塗装 5Y7/1. 半ツヤ(標準色)

|                         |                 |                         |                       |                  |               |
|-------------------------|-----------------|-------------------------|-----------------------|------------------|---------------|
| Designed by<br>Yokogawa | Checked by<br>- | Approved by - date<br>- | Filename<br>FES000A00 | Date<br>21/10/27 | Scale<br>1:10 |
| エス・ディ・エス株式会社            |                 |                         | 自立盤/FE45-915S         |                  |               |
|                         |                 |                         | FES000A00             | Edition<br>A     | Sheet<br>2/2  |