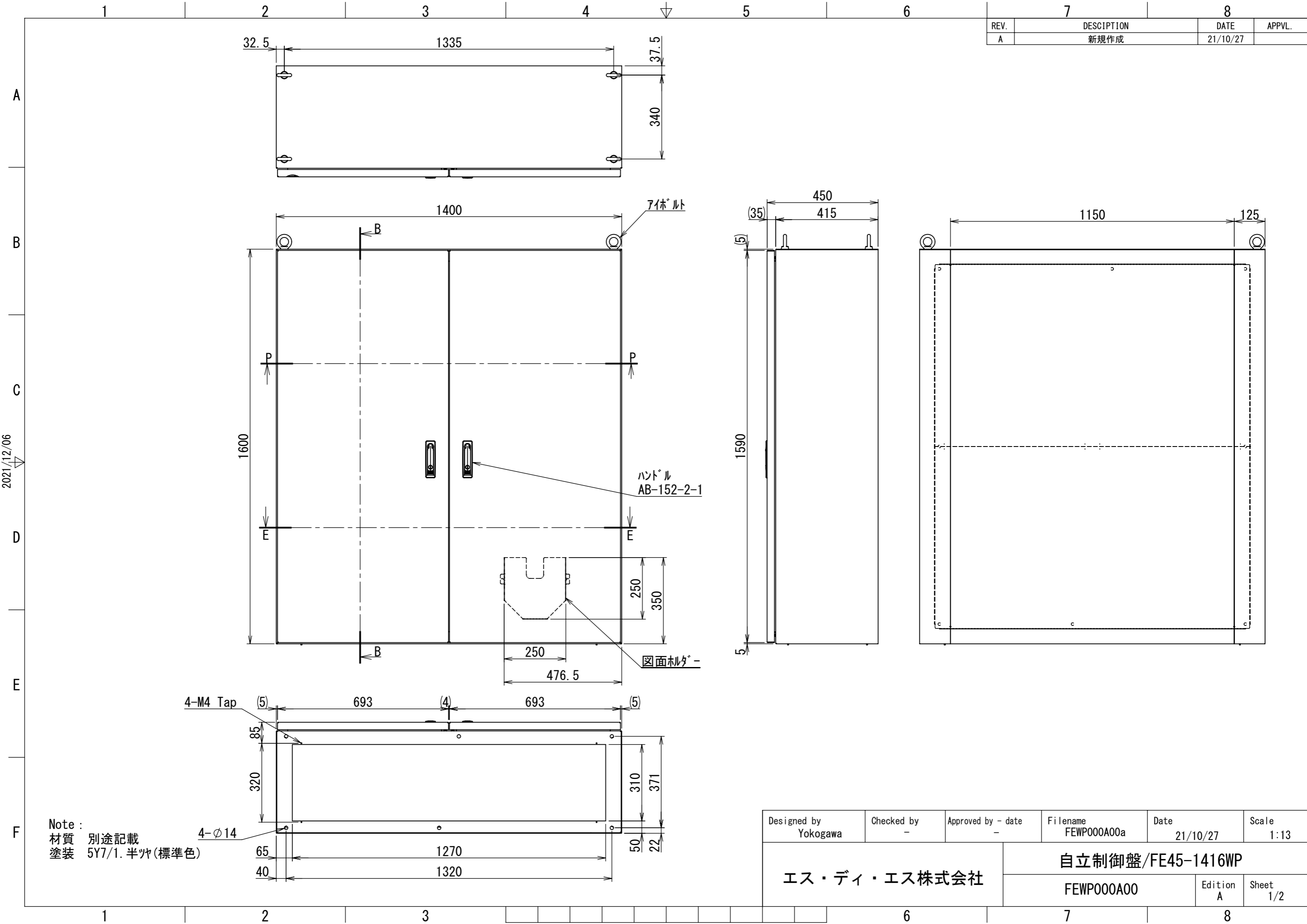


REV.	DESCRIPTION	DATE	APPL.
A	新規作成	21/10/27	

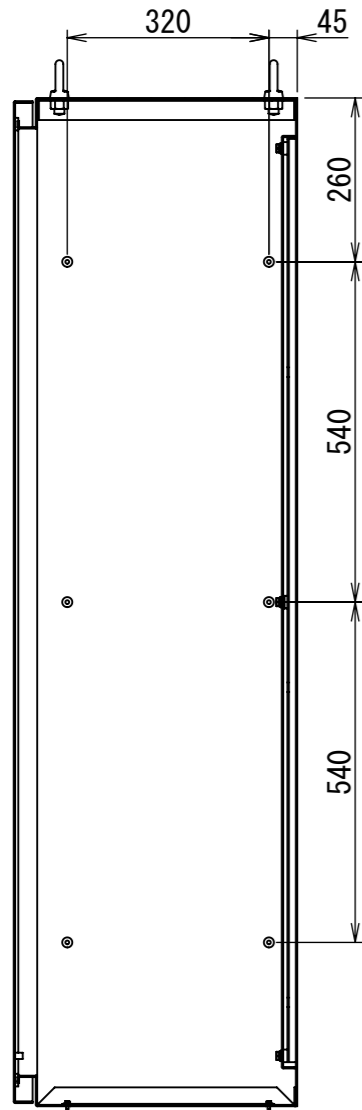


2021/12/06

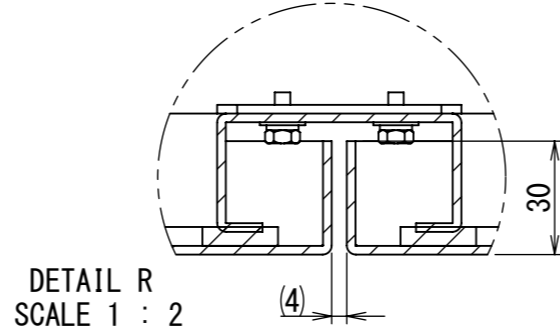
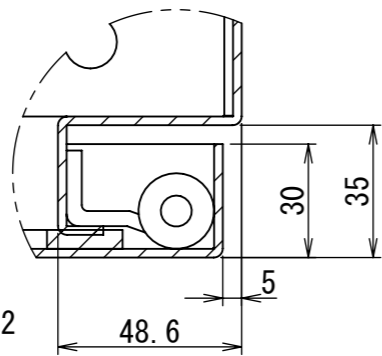
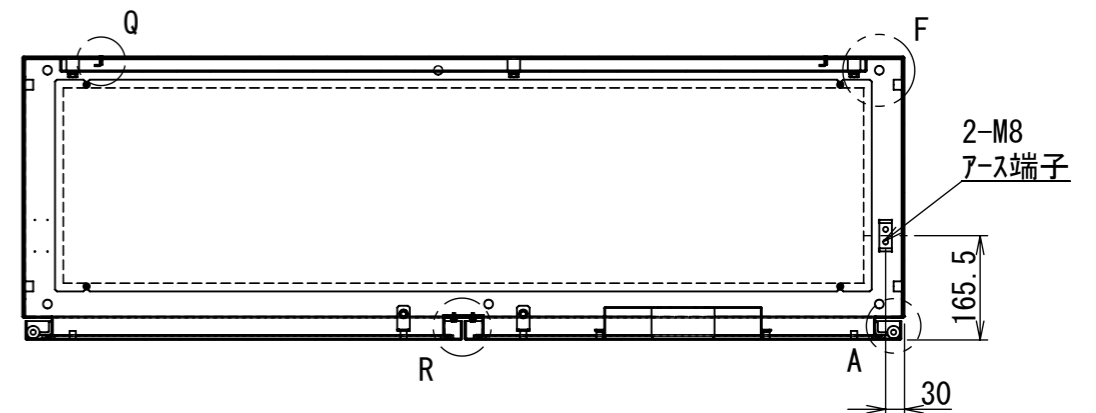
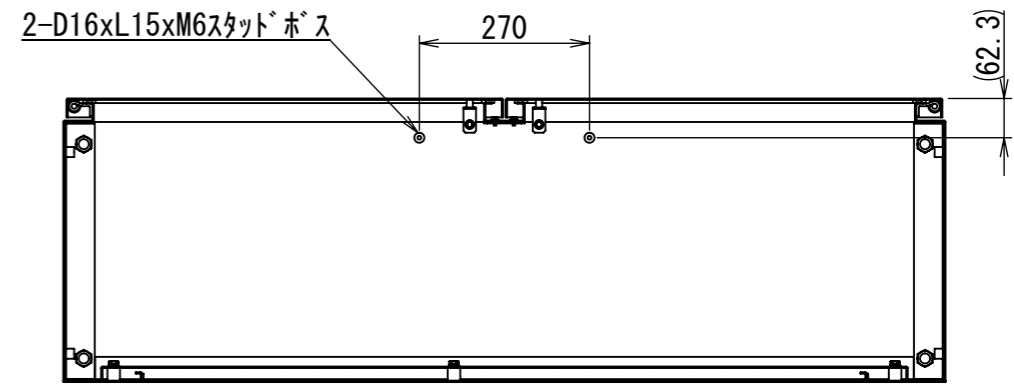
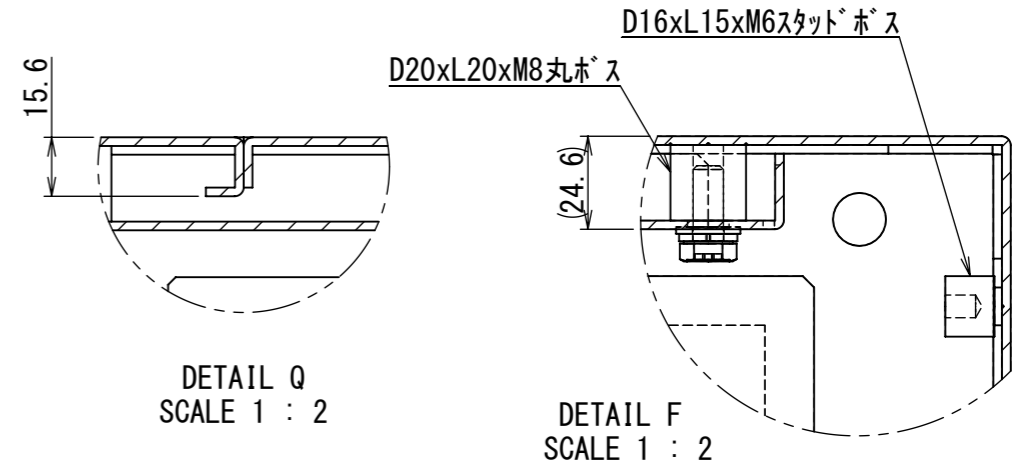
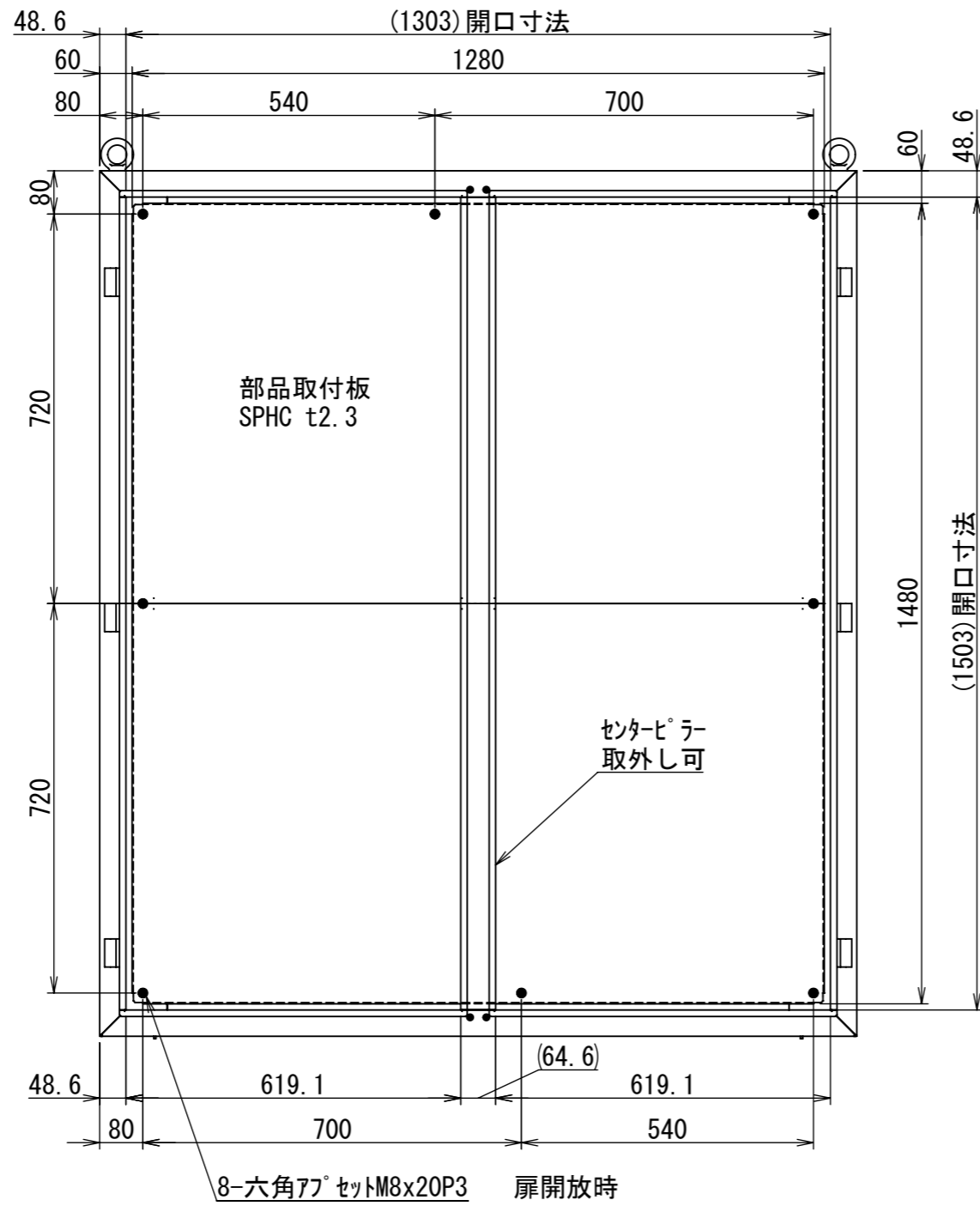
Note :
 材質 別途記載
 塗装 5Y7/1. 半ツヤ(標準色)

Designed by Yokogawa	Checked by -	Approved by - date -	Filename FEWP000A00a	Date 21/10/27	Scale 1:13
エス・ディ・エス株式会社			自立制御盤/FE45-1416WP		
			FEWP000A00	Edition A	Sheet 1/2

2021/12/06



断面図 B-B



Note :
材質 別途記載
塗装 5Y7/1. 半ツヤ(標準色)

Designed by Yokogawa	Checked by -	Approved by - date -	Filename FEWP000A00a	Date 21/10/27	Scale 1:12
エス・ディ・エス株式会社			自立制御盤/FE45-1416WP		
			FEWP000A00	Edition A	Sheet 2/2