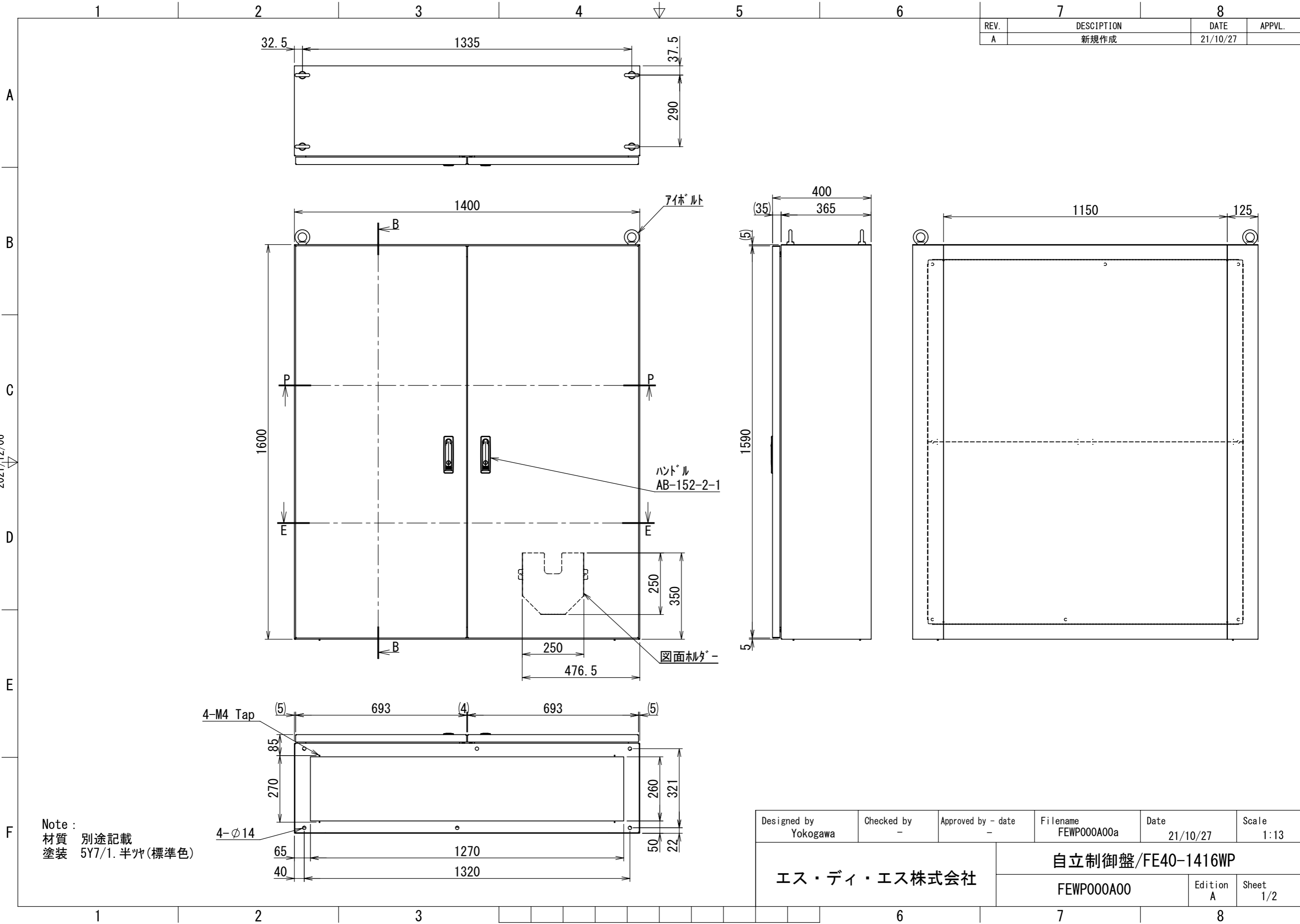


| REV. | DESCRIPTION | DATE     | APPL. |
|------|-------------|----------|-------|
| A    | 新規作成        | 21/10/27 |       |

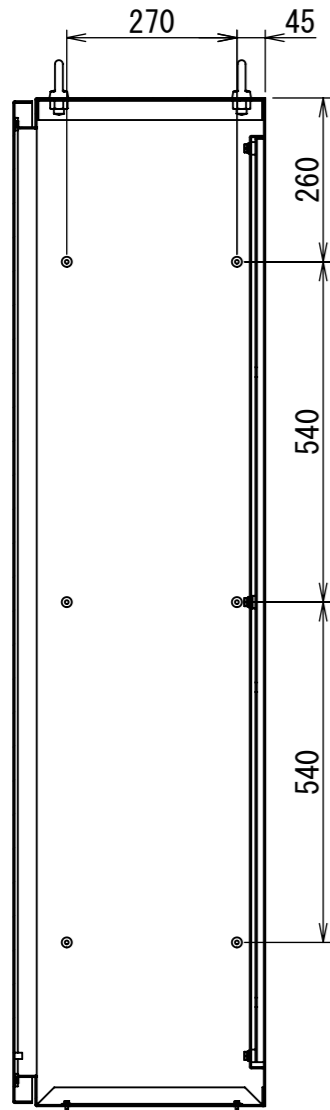


2021/12/06

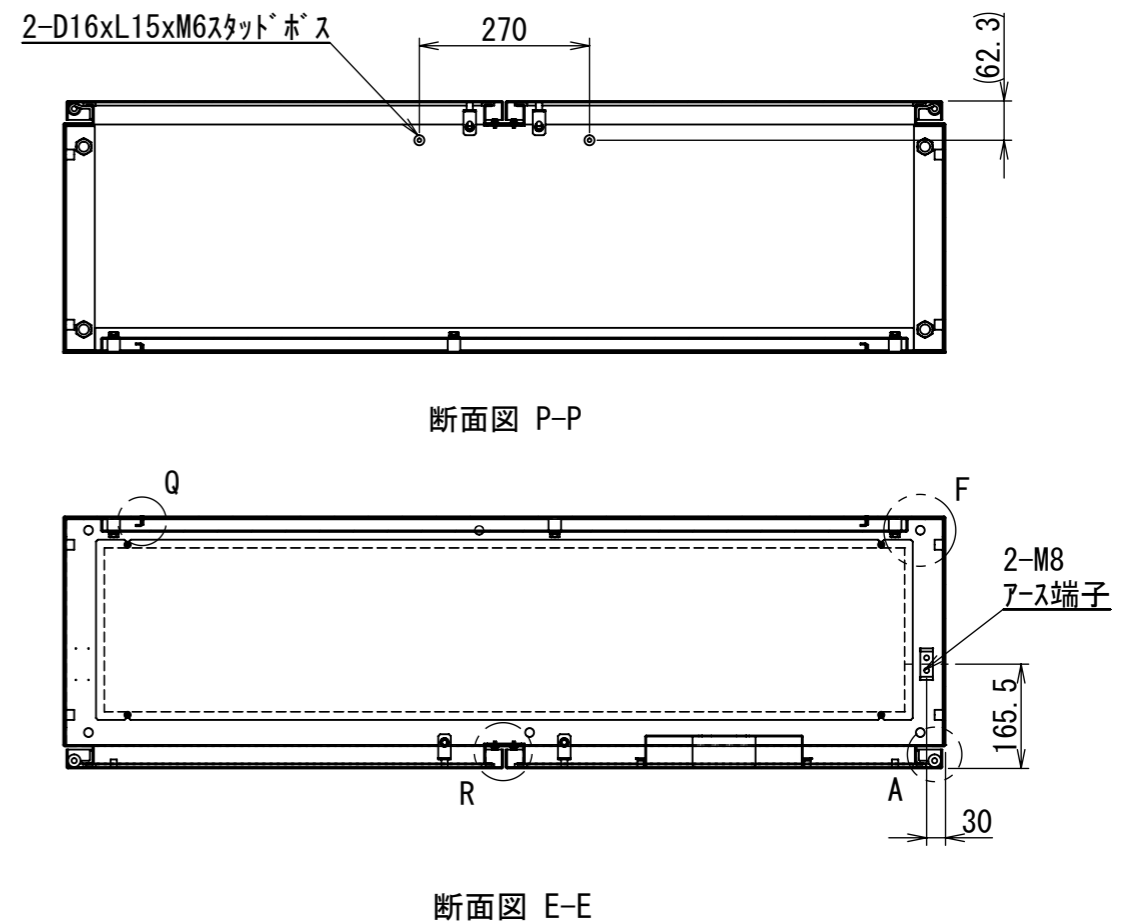
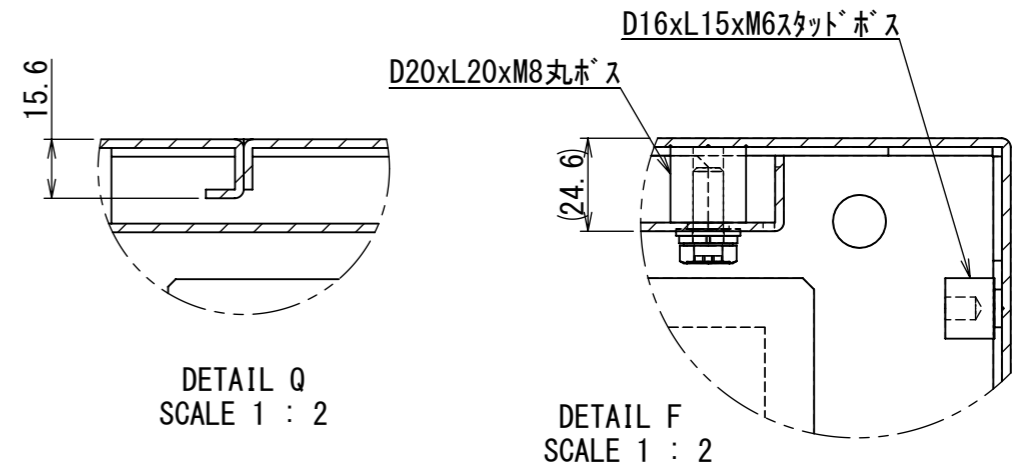
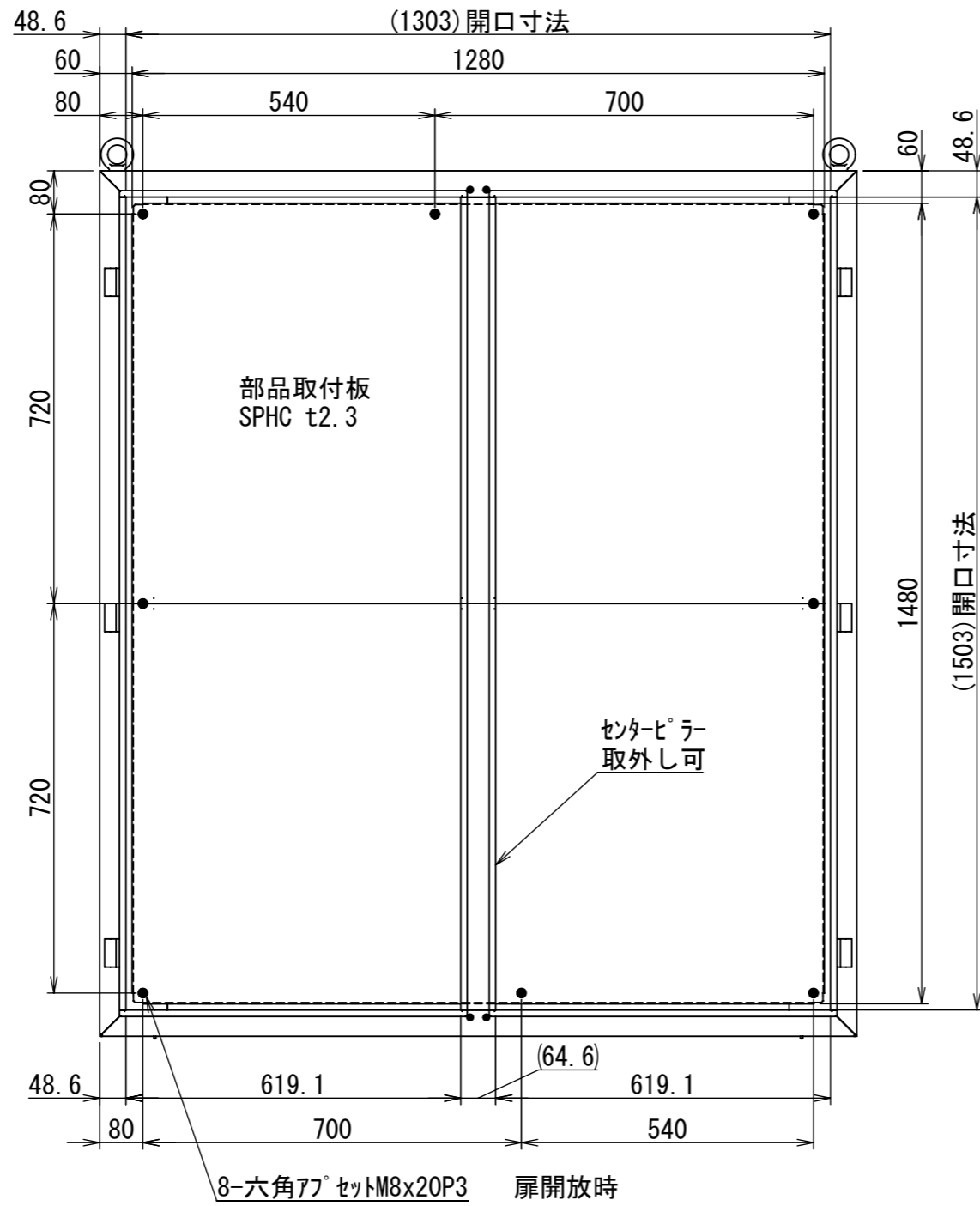
Note :  
 材質 別途記載  
 塗装 5Y7/1. 半ツヤ(標準色)

|                         |                 |                         |                         |                  |               |
|-------------------------|-----------------|-------------------------|-------------------------|------------------|---------------|
| Designed by<br>Yokogawa | Checked by<br>- | Approved by - date<br>- | Filename<br>FEWP000A00a | Date<br>21/10/27 | Scale<br>1:13 |
| エス・ディ・エス株式会社            |                 |                         | 自立制御盤/FE40-1416WP       |                  |               |
|                         |                 |                         | FEWP000A00              | Edition<br>A     | Sheet<br>1/2  |

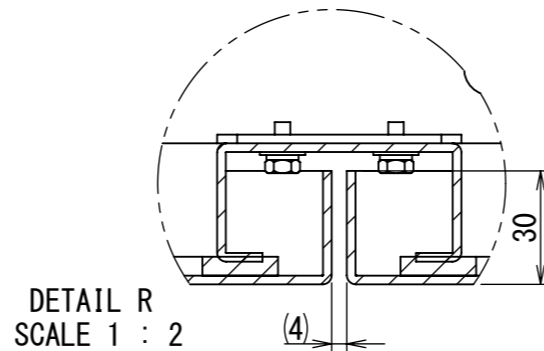
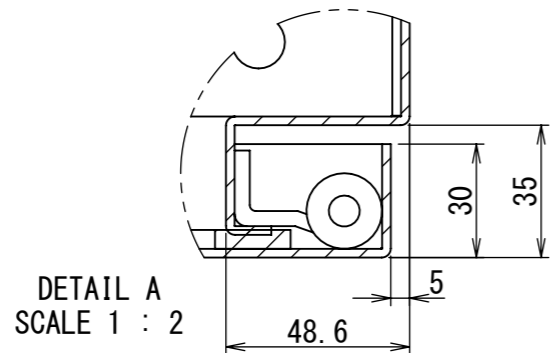
2021/12/06



断面図 B-B



Note :  
材質 別途記載  
塗装 5Y7/1.半ツヤ(標準色)



|                         |                 |                         |                         |                  |               |
|-------------------------|-----------------|-------------------------|-------------------------|------------------|---------------|
| Designed by<br>Yokogawa | Checked by<br>- | Approved by - date<br>- | Filename<br>FEWP000A00a | Date<br>21/10/27 | Scale<br>1:12 |
| エス・ディ・エス株式会社            |                 |                         | 自立制御盤/FE40-1416WP       |                  |               |
|                         |                 |                         | FEWP000A00              | Edition<br>A     | Sheet<br>2/2  |