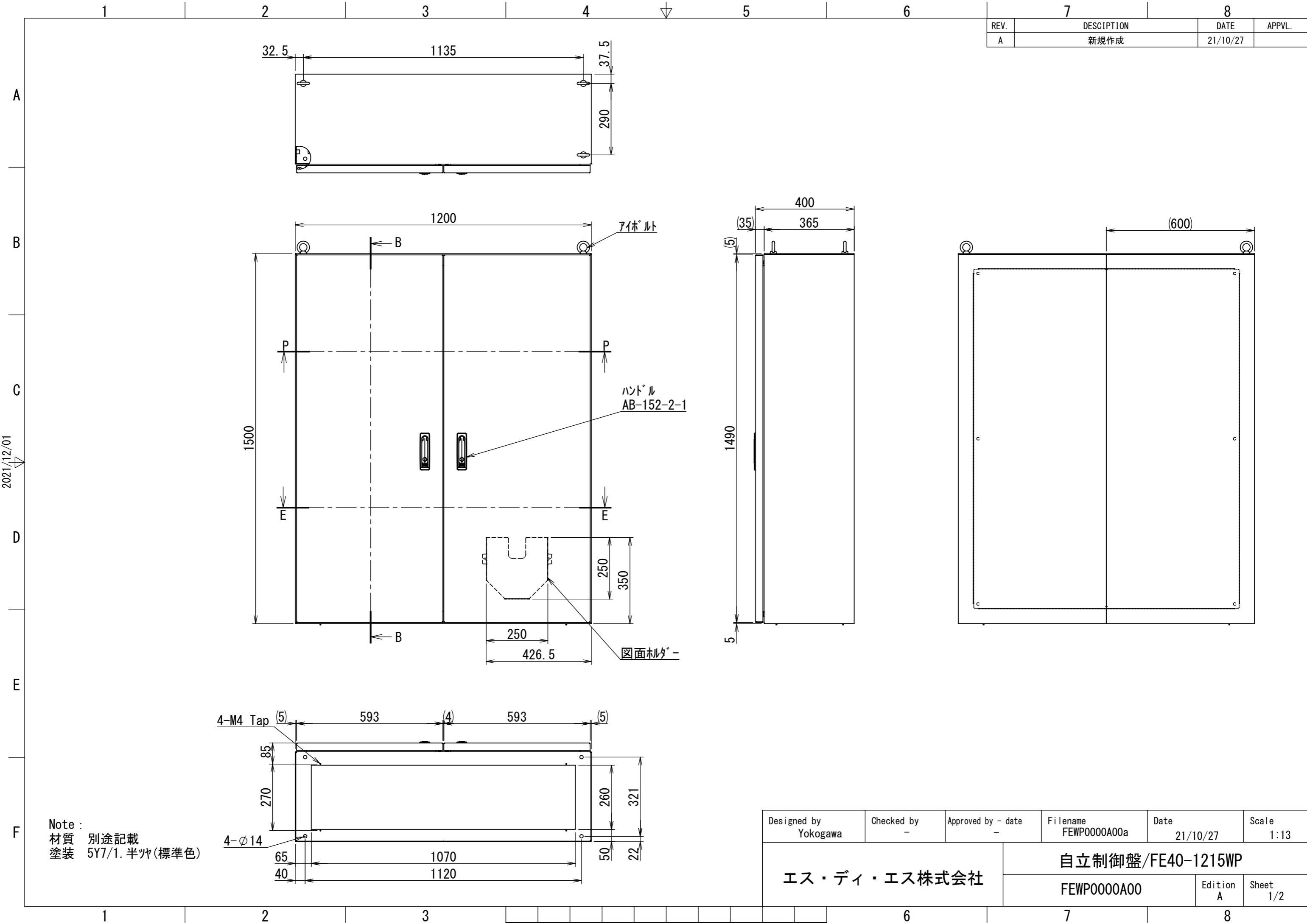


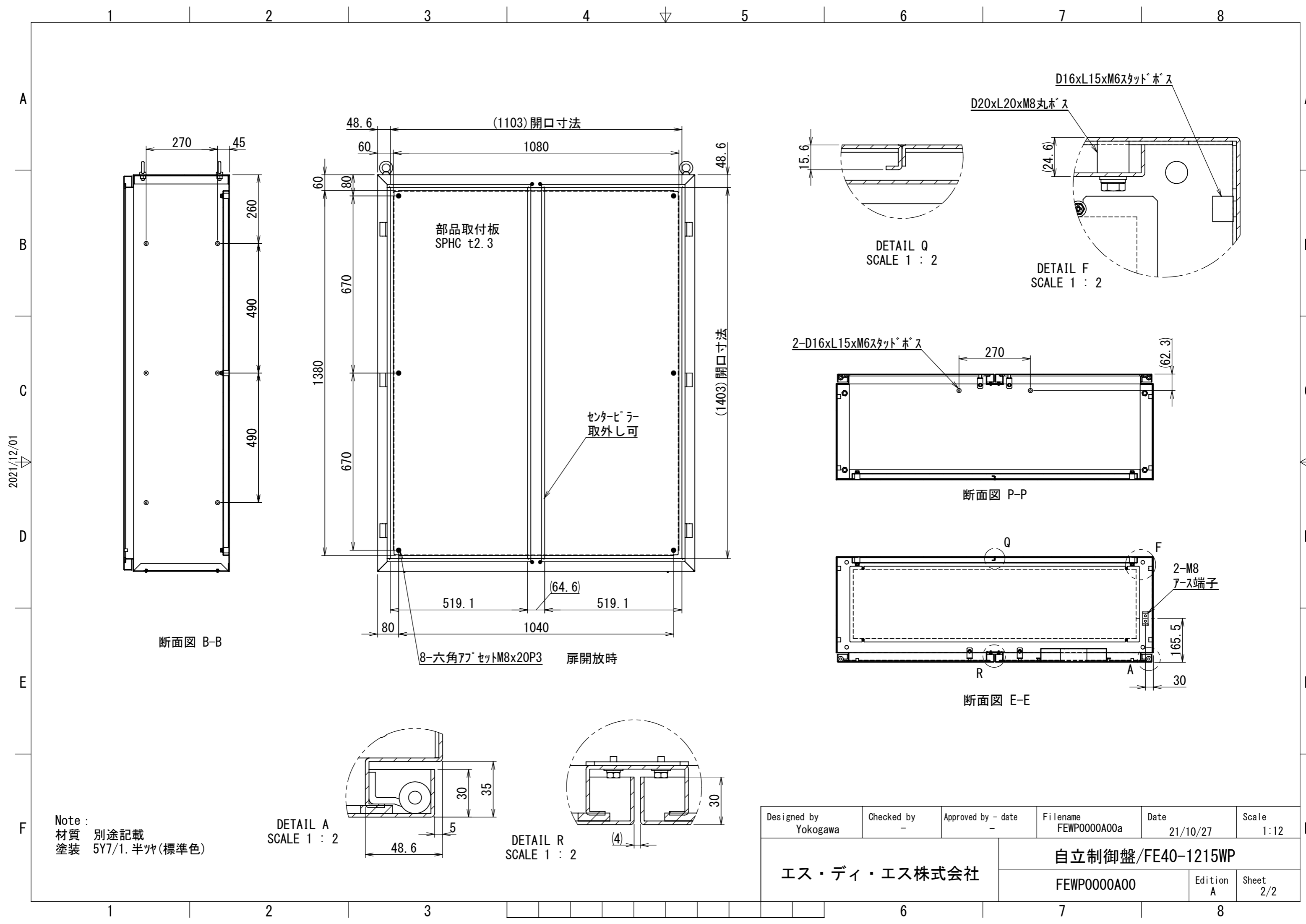
| REV. | DESCRIPTION | DATE | APPL. |
|------|-------------|----------|-------|
| A | 新規作成 | 21/10/27 | |



2021/12/01

Note :
 材質 別途記載
 塗装 5Y7/1. 半ツヤ(標準色)

| | | | | | |
|-------------------------|-----------------|-------------------------|--------------------------|------------------|---------------|
| Designed by Yokogawa | Checked by - | Approved by - date - | Filename FEWP0000A00a | Date 21/10/27 | Scale 1:13 |
| エス・ディ・エス株式会社 | | | 自立制御盤/FE40-1215WP | | |
| | | | FEWP0000A00 | Edition A | Sheet 1/2 |



Note :
 材質 別途記載
 塗装 5Y7/1. 半ツヤ (標準色)

DETAIL A
 SCALE 1 : 2

DETAIL R
 SCALE 1 : 2

DETAIL Q
 SCALE 1 : 2

DETAIL F
 SCALE 1 : 2

断面図 P-P

断面図 E-E

| | | | | | |
|-------------------------|-----------------|-------------------------|--------------------------|------------------|---------------|
| Designed by Yokogawa | Checked by - | Approved by - date - | Filename FEWP0000A00a | Date 21/10/27 | Scale 1:12 |
| エス・ディ・エス株式会社 | | | 自立制御盤/FE40-1215WP | | |
| | | | FEWP0000A00 | Edition A | Sheet 2/2 |