

| REV. | DESCRIPTION | DATE | APPL. |
|------|-------------|----------|-------|
| A | 新規作成 | 21/10/27 | |

A

B

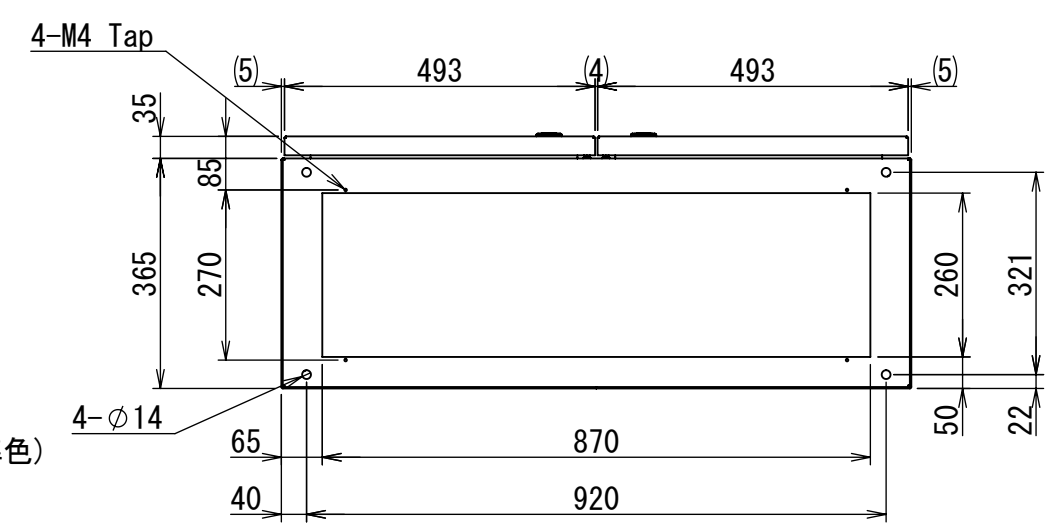
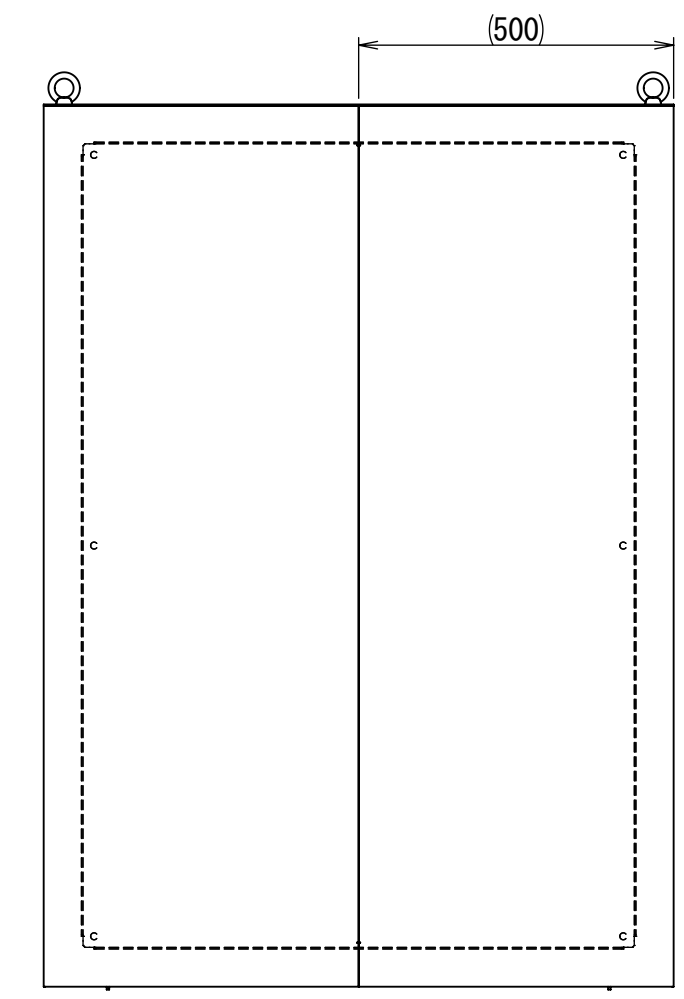
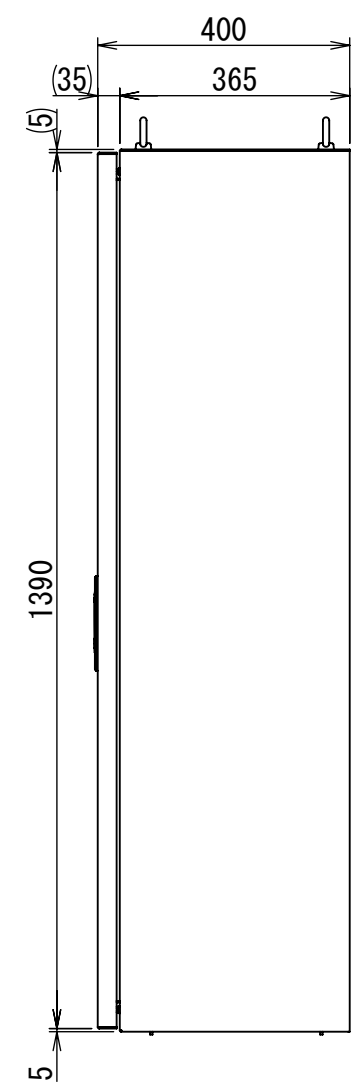
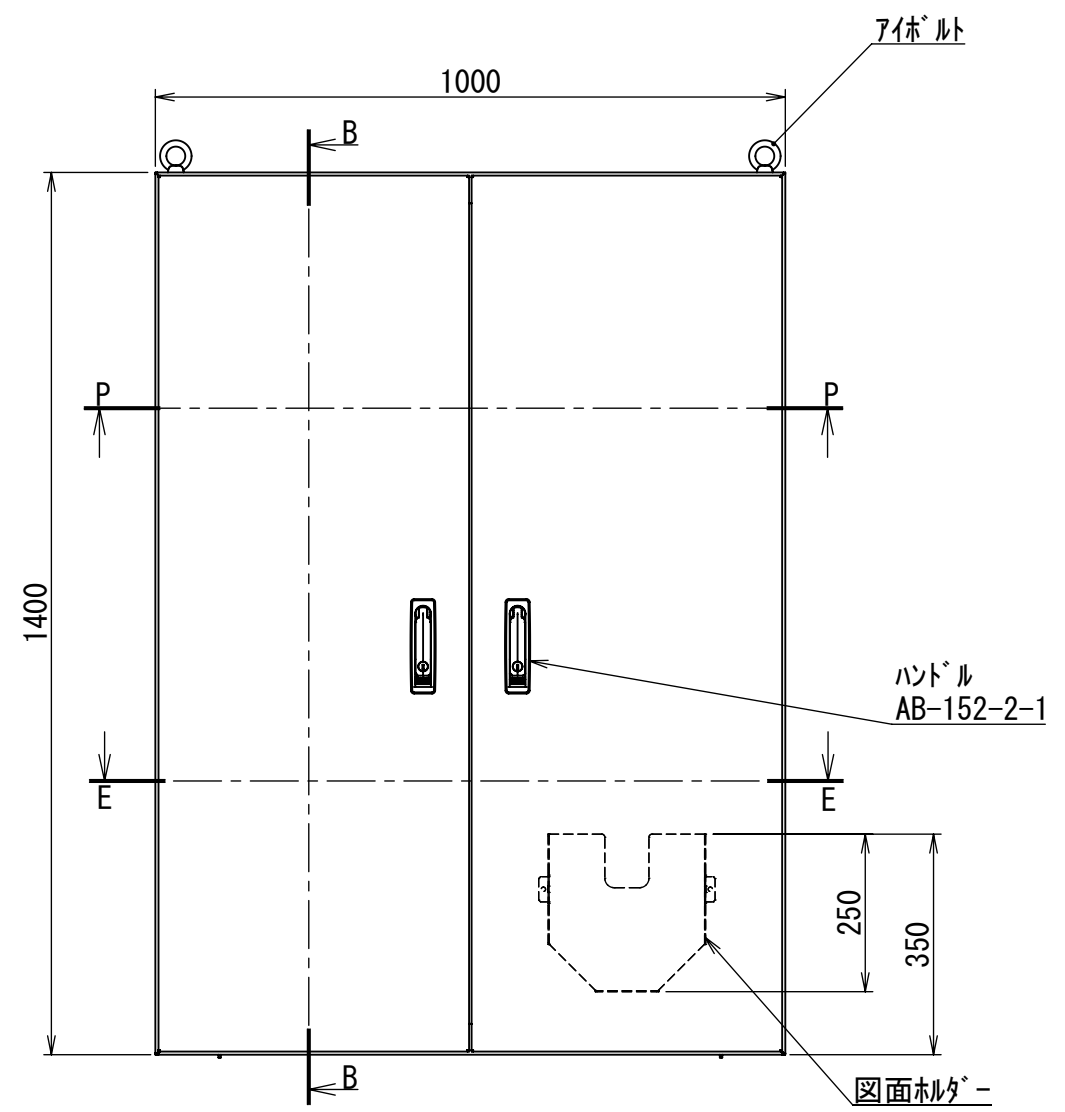
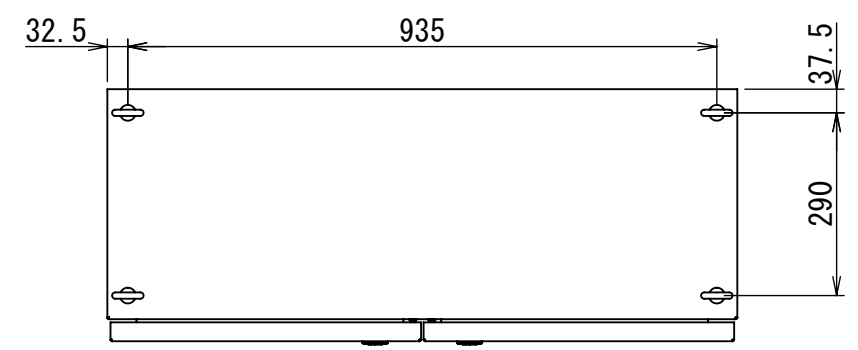
C

D

E

F

2021/11/30

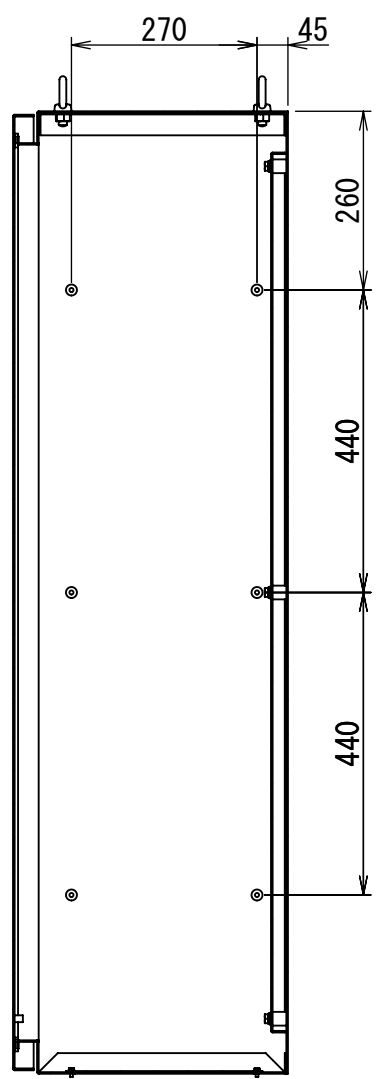


Note :
 材質 別途記載
 塗装 5Y7/1. 半ツヤ(標準色)

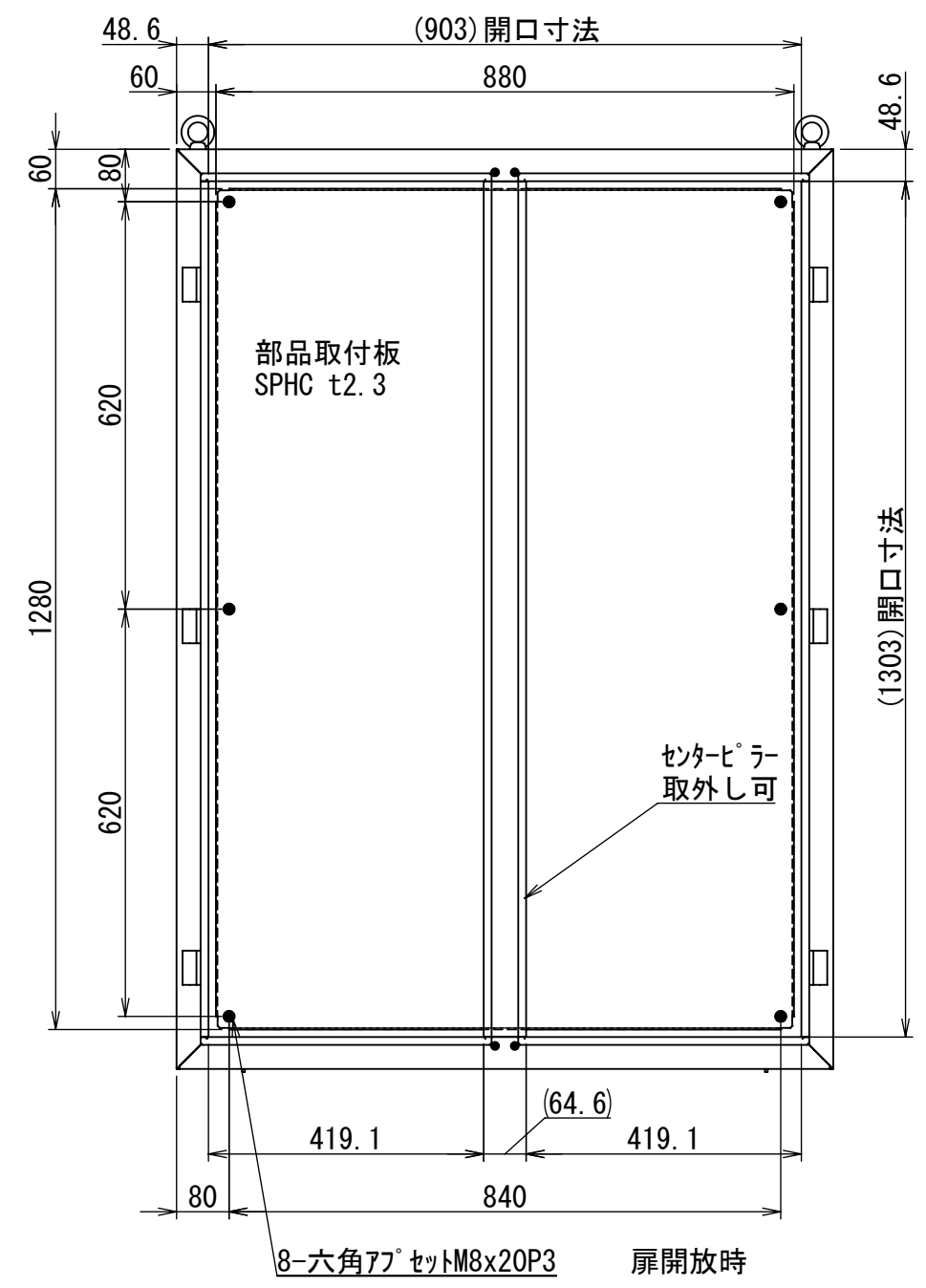
| | | | | | |
|-------------------------|-----------------|-------------------------|--------------------------|------------------|---------------|
| Designed by Yokogawa | Checked by - | Approved by - date - | Filename FEWP0000A00a | Date 21/10/27 | Scale 1:12 |
| エス・ディ・エス株式会社 | | | 自立制御盤/FE40-1014WP | | |
| | | | FEWP0000A00 | Edition A | Sheet 1/2 |

1 2 3 4 5 6 7 8

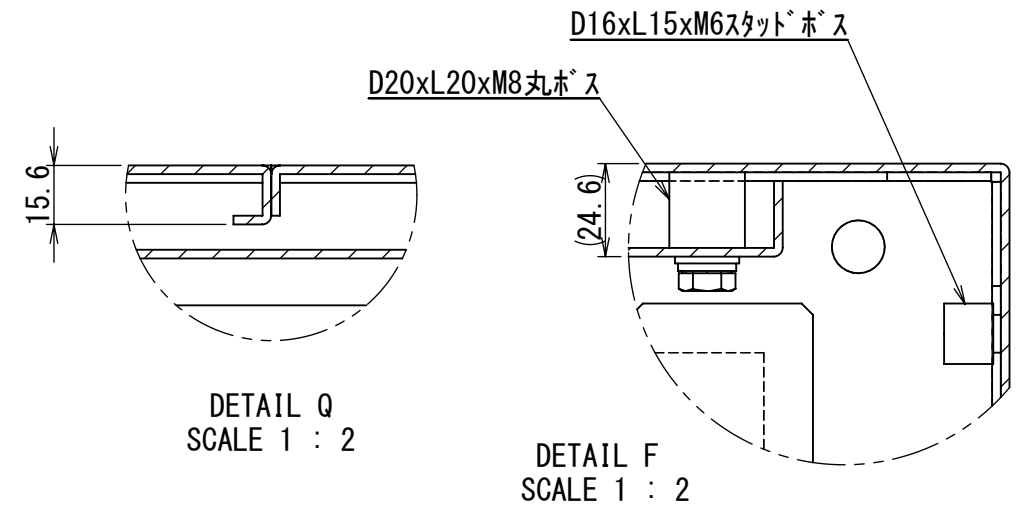
A
B
C
D
E
F



断面図 B-B

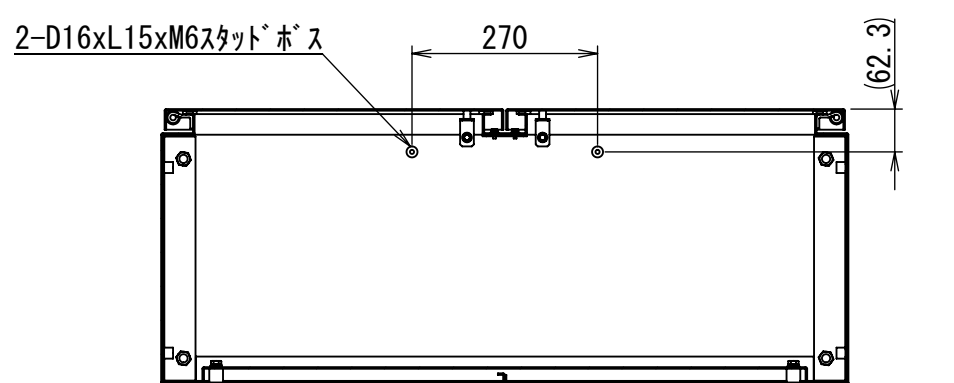


8-六角77°セットM8x20P3 扉開放時

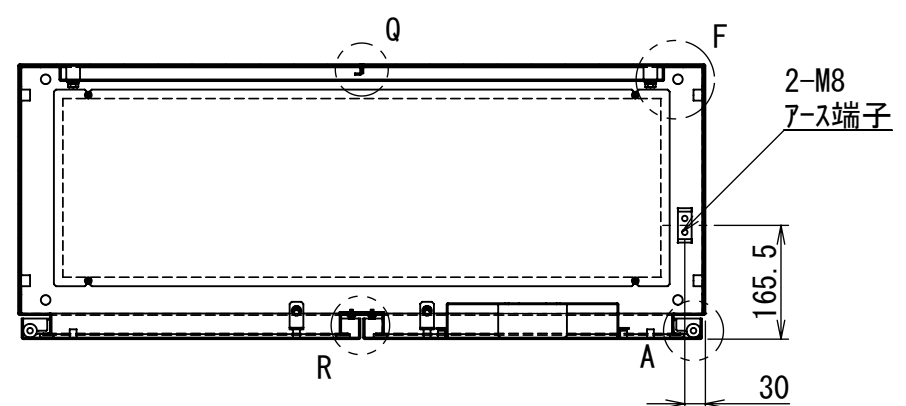


DETAIL Q
SCALE 1 : 2

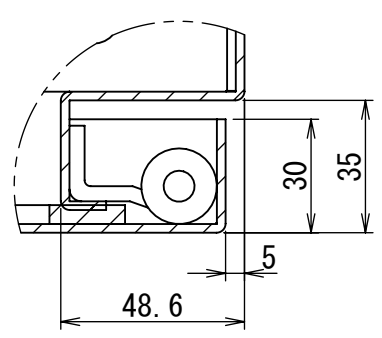
DETAIL F
SCALE 1 : 2



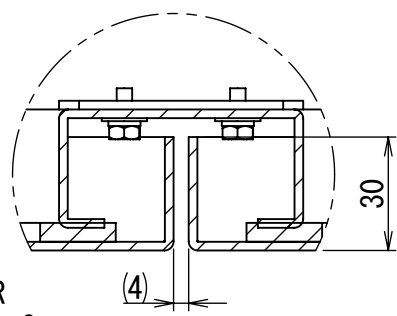
断面図 P-P



断面図 E-E



DETAIL A
SCALE 1 : 2



DETAIL R
SCALE 1 : 2

Note :
材質 別途記載
塗装 5Y7/1.半ツヤ(標準色)

| | | | | | |
|-------------------------|-----------------|-------------------------|--------------------------|------------------|---------------|
| Designed by Yokogawa | Checked by - | Approved by - date - | Filename FEWP0000A00a | Date 21/10/27 | Scale 1:11 |
| エス・ディ・エス株式会社 | | | 自立制御盤/FE40-1014WP | | |
| | | | FEWP0000A00 | Edition A | Sheet 2/2 |

2021/11/30

1 2 3 4 5 6 7 8