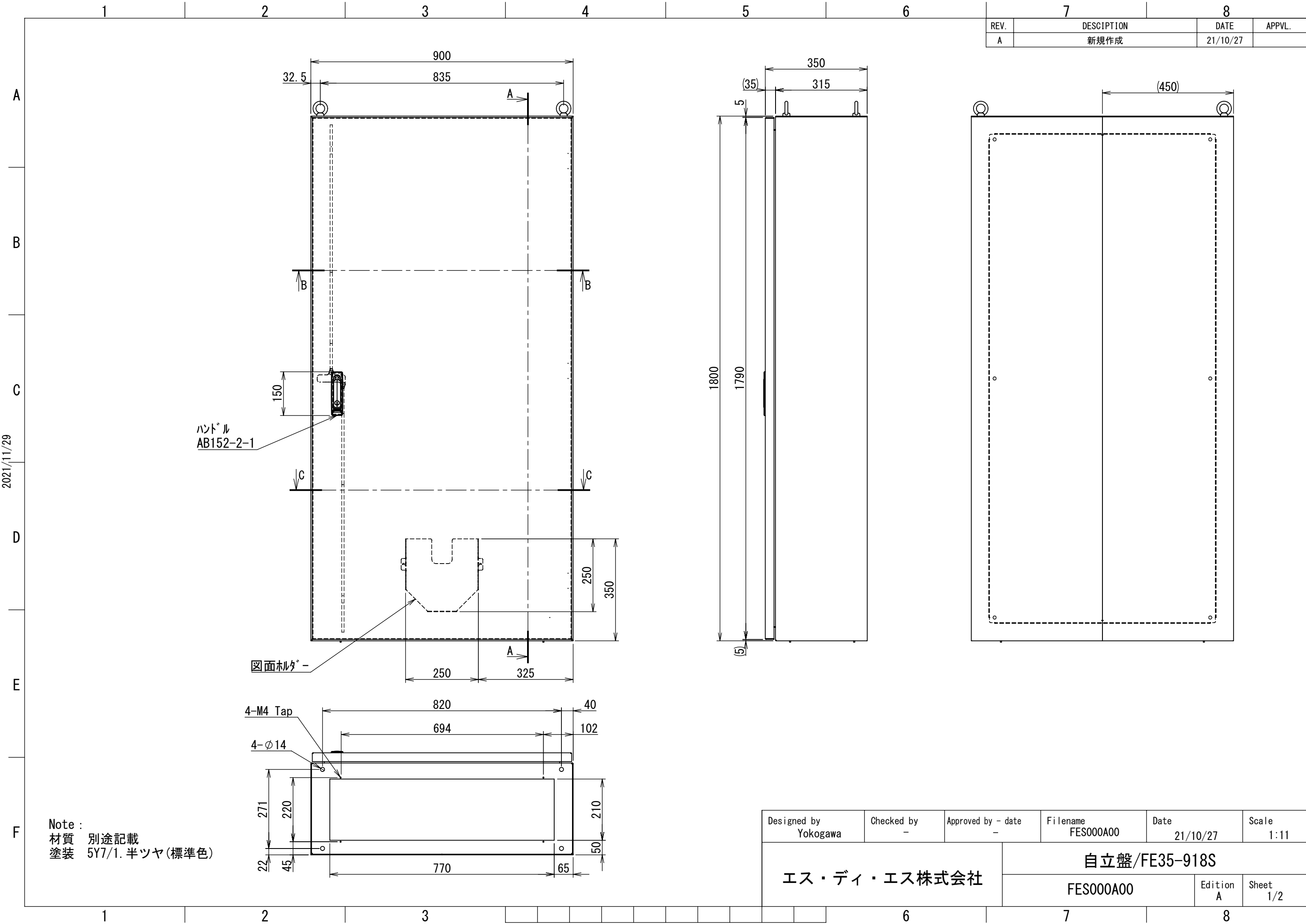


| REV. | DESCRIPTION | DATE | APPVL. |
|------|-------------|----------|--------|
| A | 新規作成 | 21/10/27 | |

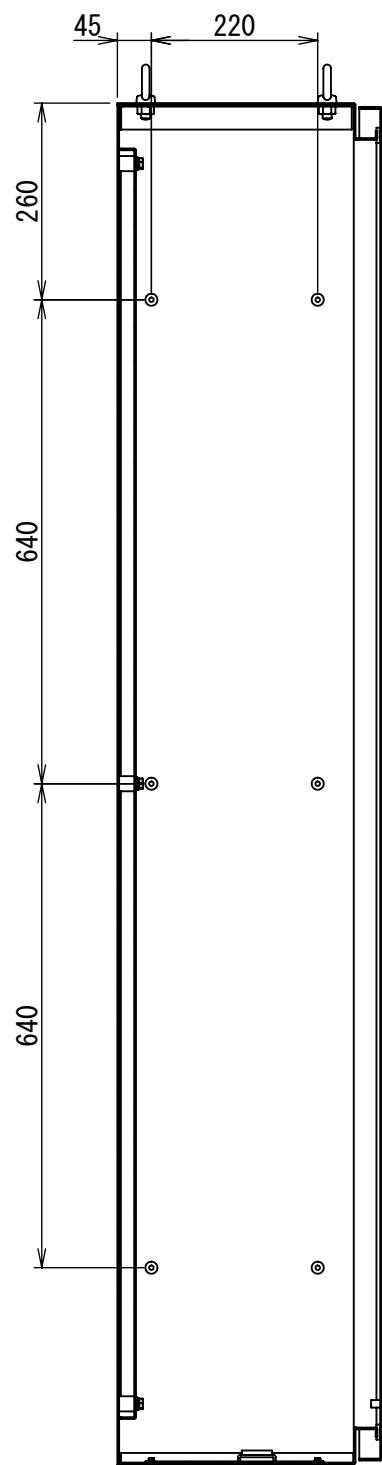


2021/11/29

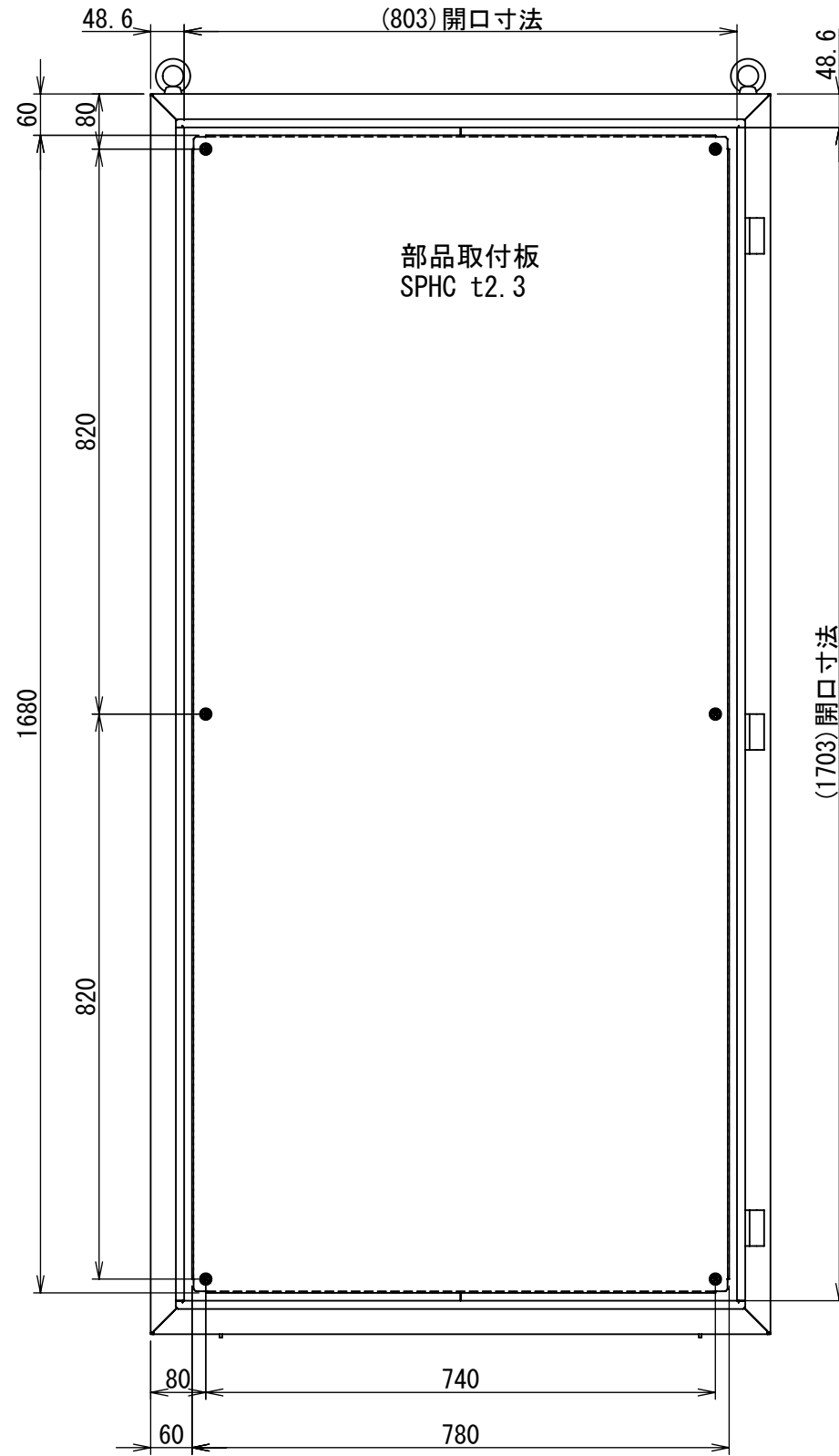
Note :
 材質 別途記載
 塗装 5Y7/1. 半ツヤ(標準色)

| | | | | | |
|-------------------------|-----------------|-------------------------|-----------------------|------------------|---------------|
| Designed by Yokogawa | Checked by - | Approved by - date - | Filename FES000A00 | Date 21/10/27 | Scale 1:11 |
| エス・ディ・エス株式会社 | | | 自立盤/FE35-918S | | |
| | | | FES000A00 | Edition A | Sheet 1/2 |

2021/11/29



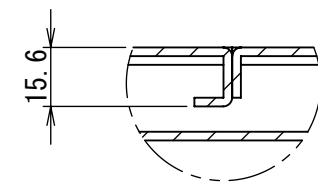
断面図 A-A



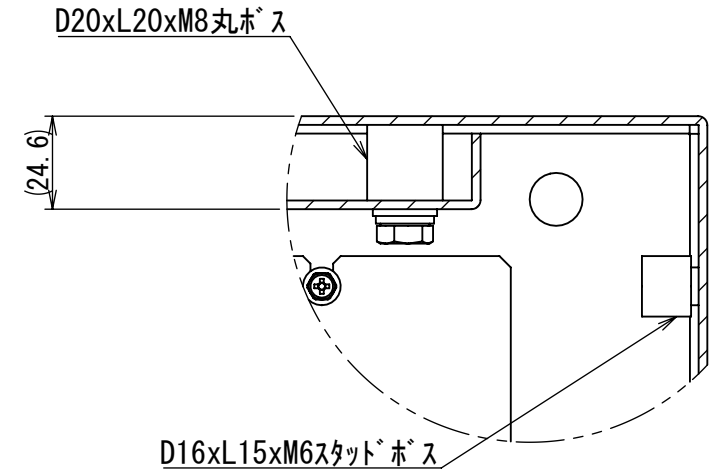
部品取付板
SPHC t2.3

(1703) 開口寸法

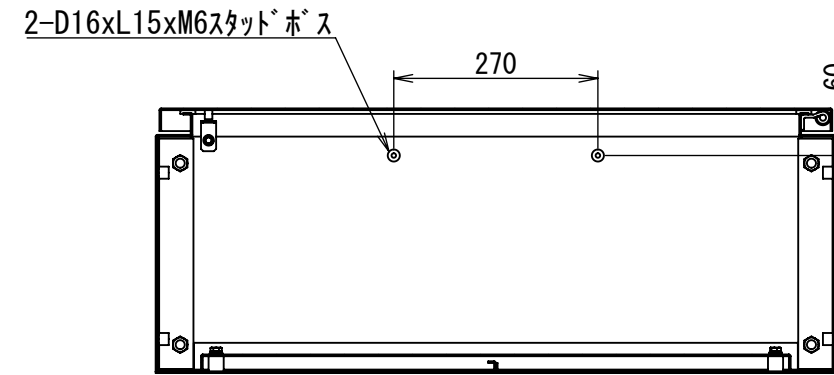
扉開放時



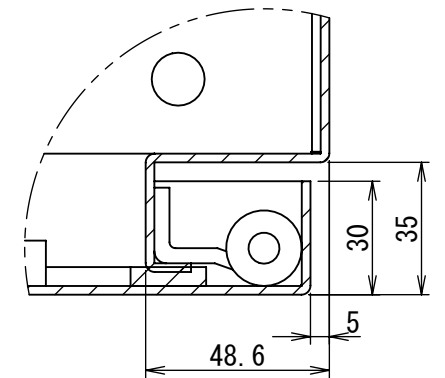
DETAIL D
SCALE 1 : 2



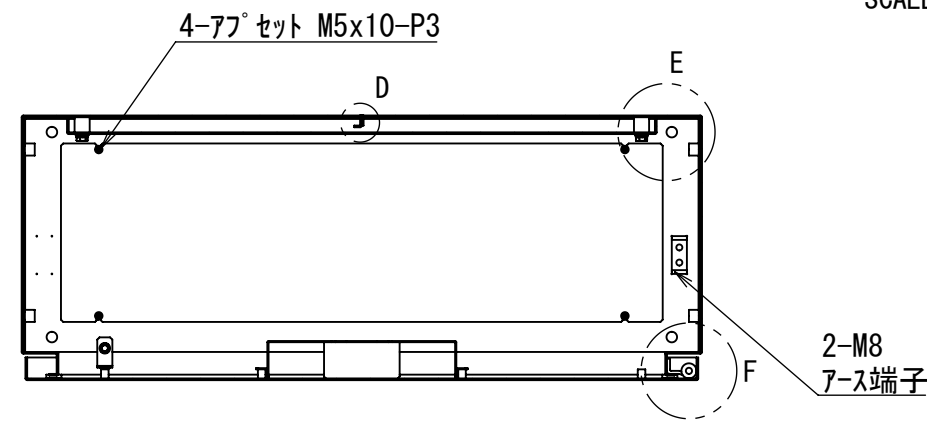
DETAIL E
SCALE 1 : 2



断面図 B-B



DETAIL F
SCALE 1 : 2



断面図 C-C

Note :
材質 別途記載
塗装 5Y7/1. 半ツヤ(標準色)

| | | | | | |
|-------------------------|-----------------|-------------------------|-----------------------|------------------|---------------|
| Designed by Yokogawa | Checked by - | Approved by - date - | Filename FES000A00 | Date 21/10/27 | Scale 1:10 |
| エス・ディ・エス株式会社 | | | 自立盤/FE35-918S | | |
| | | | FES000A00 | Edition A | Sheet 2/2 |