

| REV. | DESCRIPTION | DATE     | APPL. |
|------|-------------|----------|-------|
| A    | 新規作成        | 21/10/27 |       |

A

B

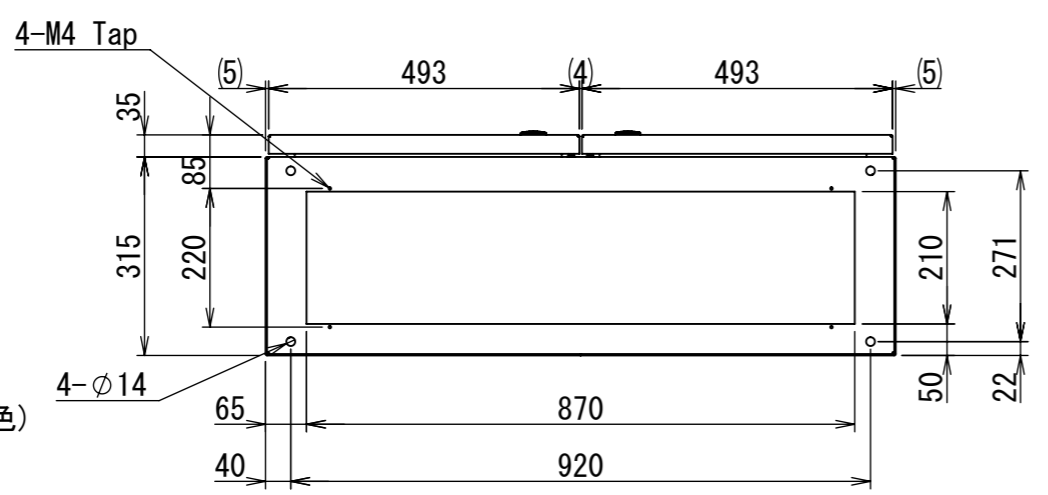
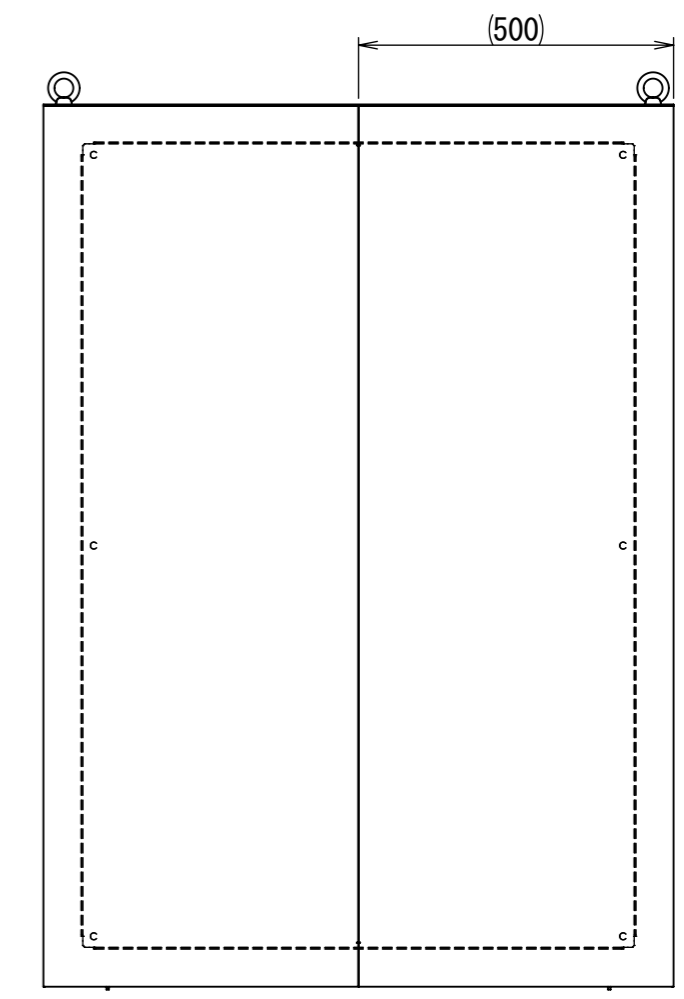
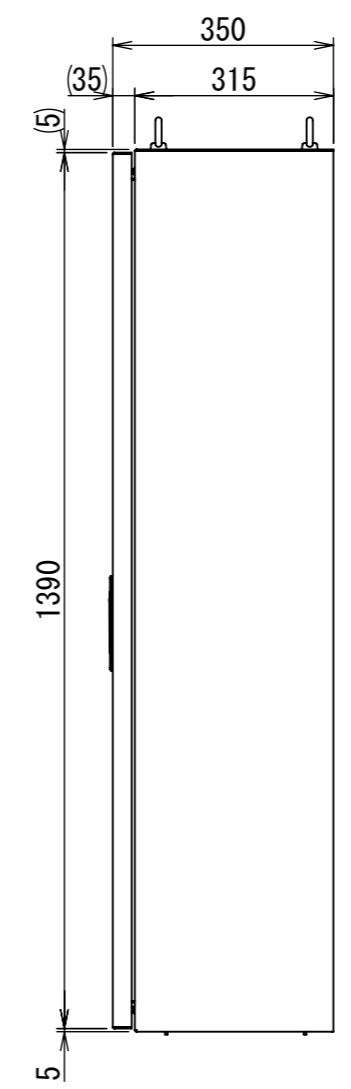
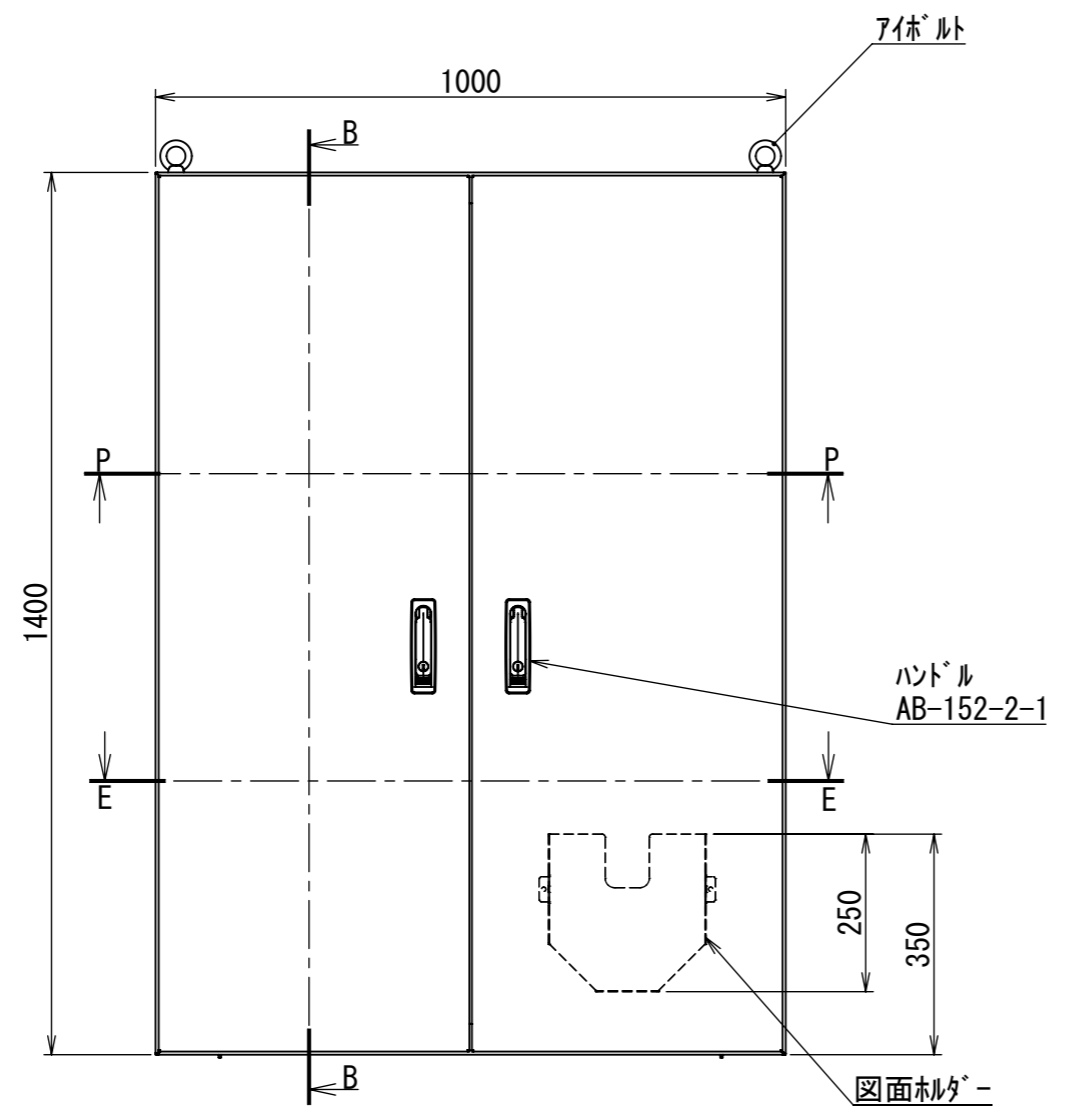
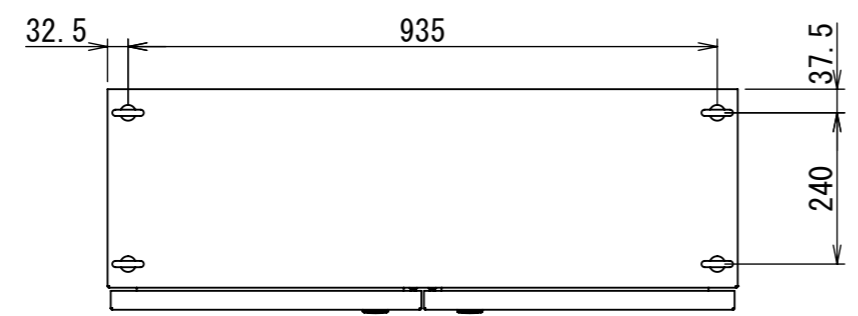
C

D

E

F

2021/11/30



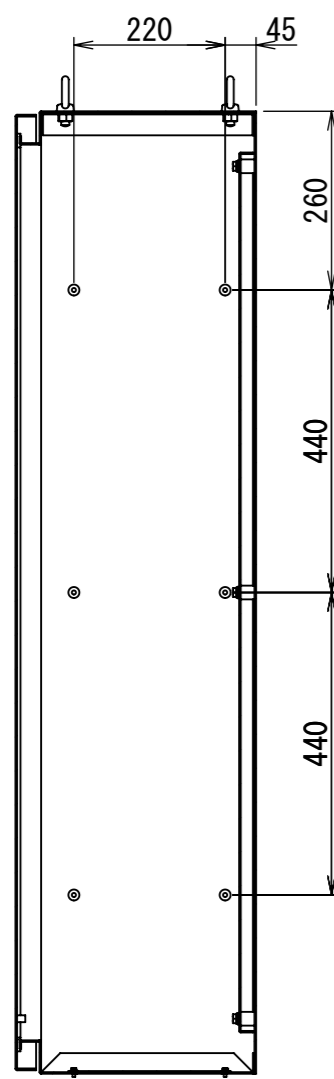
Note :  
 材質 別途記載  
 塗装 5Y7/1. 半ツヤ(標準色)

|                         |                 |                         |                          |                  |               |
|-------------------------|-----------------|-------------------------|--------------------------|------------------|---------------|
| Designed by<br>Yokogawa | Checked by<br>- | Approved by - date<br>- | Filename<br>FEWP0000A00a | Date<br>21/10/27 | Scale<br>1:12 |
| エス・ディ・エス株式会社            |                 |                         | 自立制御盤/FE35-1014WP        |                  |               |
|                         |                 |                         | FEWP0000A00              | Edition<br>A     | Sheet<br>1/2  |

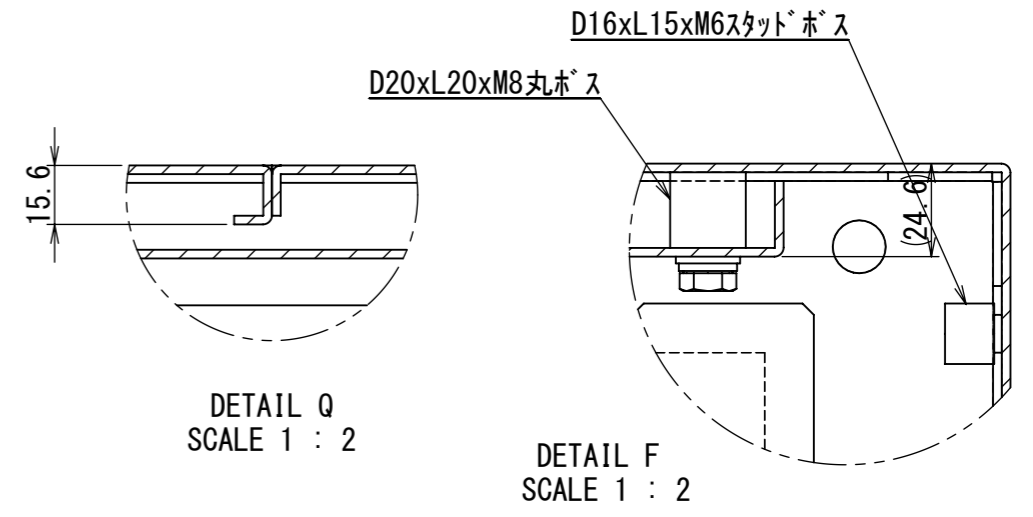
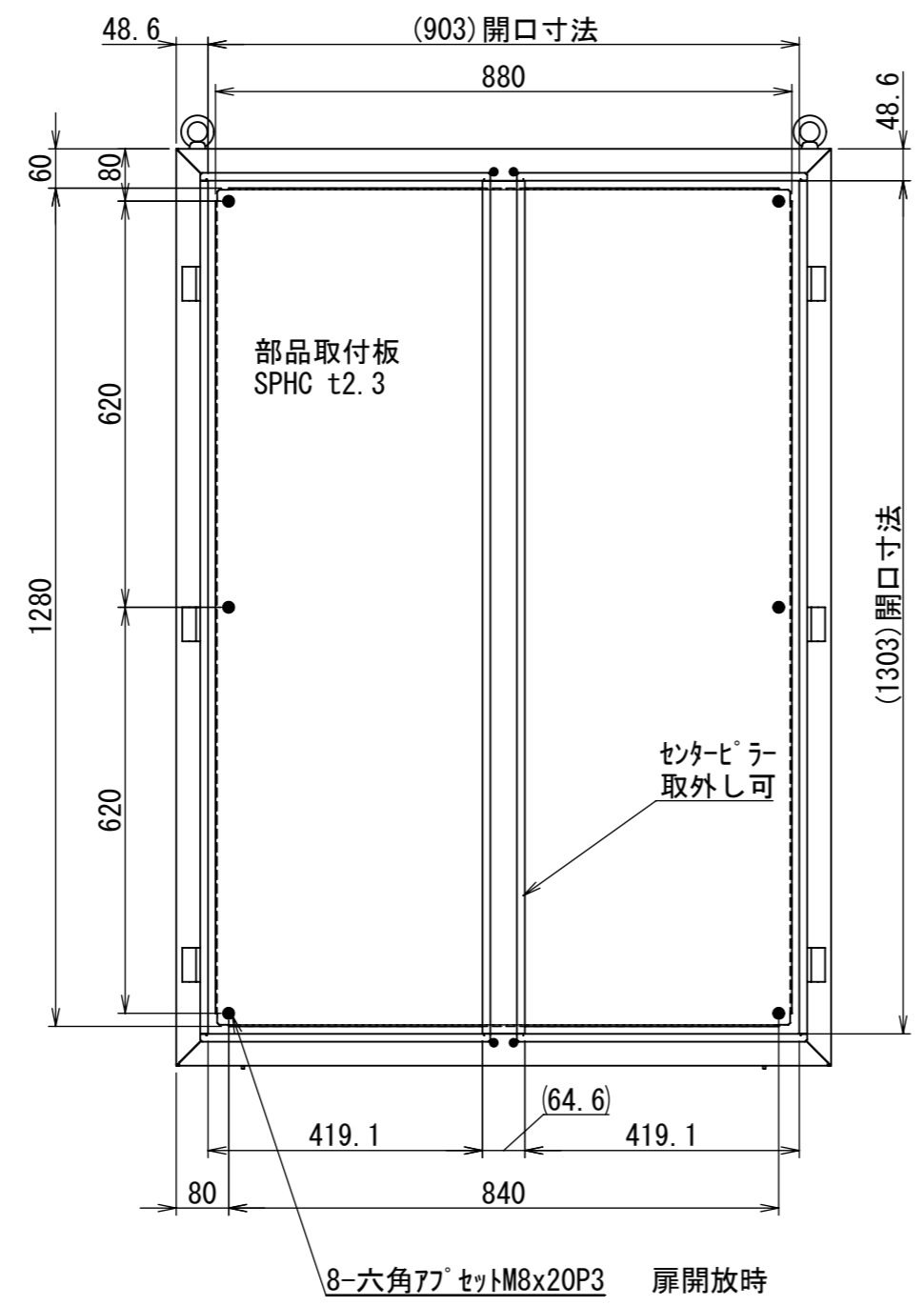
2021/11/30

1 2 3 4 5 6 7 8

A B C D E F

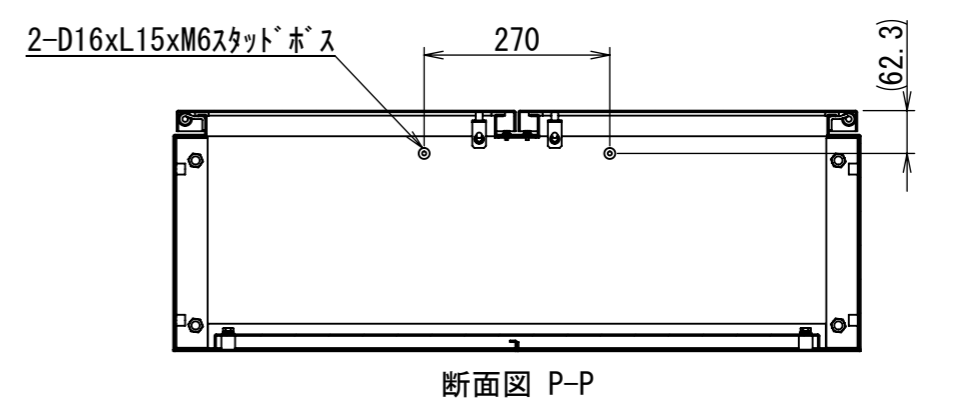


断面図 B-B

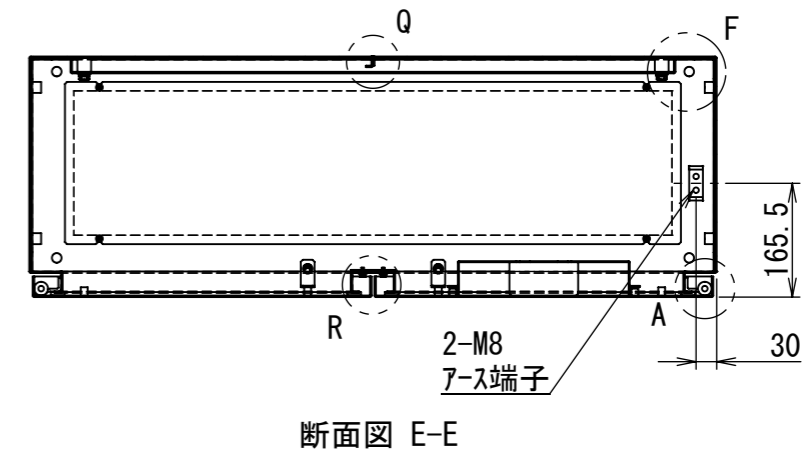


DETAIL Q  
SCALE 1 : 2

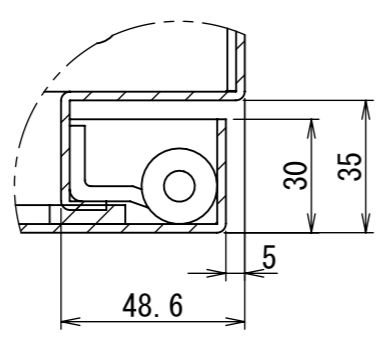
DETAIL F  
SCALE 1 : 2



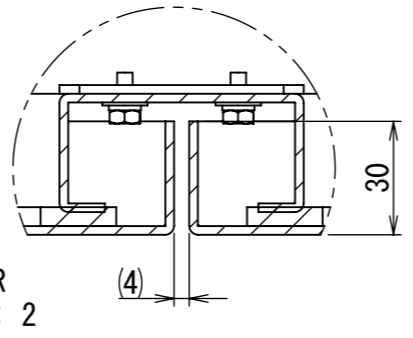
断面図 P-P



断面図 E-E



DETAIL A  
SCALE 1 : 2



DETAIL R  
SCALE 1 : 2

Note :  
材質 別途記載  
塗装 5Y7/1. 半ツヤ(標準色)

|                         |                 |                         |                          |                  |               |
|-------------------------|-----------------|-------------------------|--------------------------|------------------|---------------|
| Designed by<br>Yokogawa | Checked by<br>- | Approved by - date<br>- | Filename<br>FEWP0000A00a | Date<br>21/10/27 | Scale<br>1:11 |
| エス・ディ・エス株式会社            |                 |                         | 自立制御盤/FE35-1014WP        |                  |               |
|                         |                 |                         | FEWP0000A00              | Edition<br>A     | Sheet<br>2/2  |

1 2 3 4 5 6 7 8